

INOGENI



# INOGENI TOGGLE

## User guide

Version 1.4

8/27/21

## VERSION HISTORY

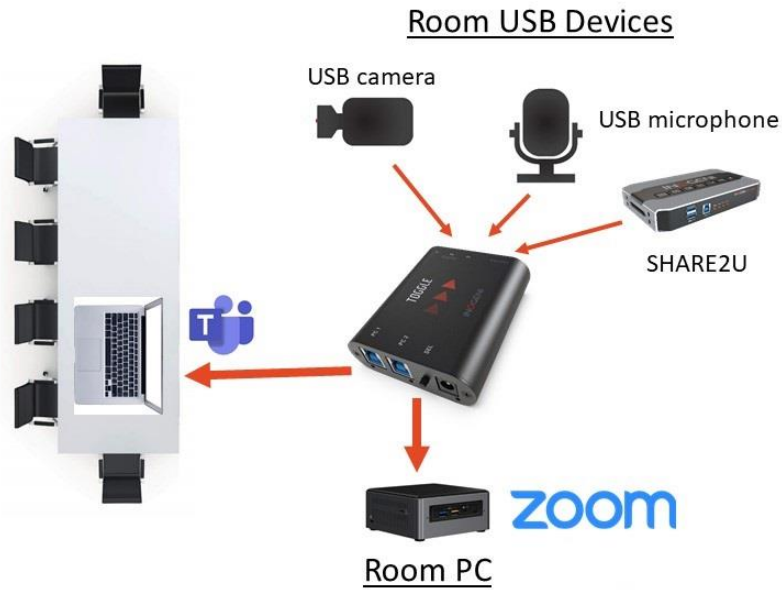
| Version | Date            | Description  |
|---------|-----------------|--|
| 1.0     | April 9, 2021   | First release  |
| 1.1     | May 20, 2021    | Update RS232 commands section. Change « HOSTx » for « PCx ». |
| 1.2     | June 15, 2021   | Adding block diagram.  |
| 1.3     | June 22, 2021   | Add GPIN level mode.   |
| 1.4     | August 27, 2021 | Adding more detailed RS232 communication explanations.       |

## CONTENTS

|                                    |    |
|------------------------------------|----|
| Version history .....              | 1  |
| Typical application .....          | 2  |
| Block Diagram.....                 | 2  |
| Device interfaces .....            | 3  |
| Leds behavior .....                | 4  |
| Operating modes .....              | 4  |
| Specifications .....               | 5  |
| Serial communication protocol..... | 6  |
| GPIN Mode.....                     | 7  |
| Important Notes about GPIN .....   | 7  |
| Settings.....                      | 7  |
| INOGENI Control App.....           | 8  |
| Support.....                       | 10 |

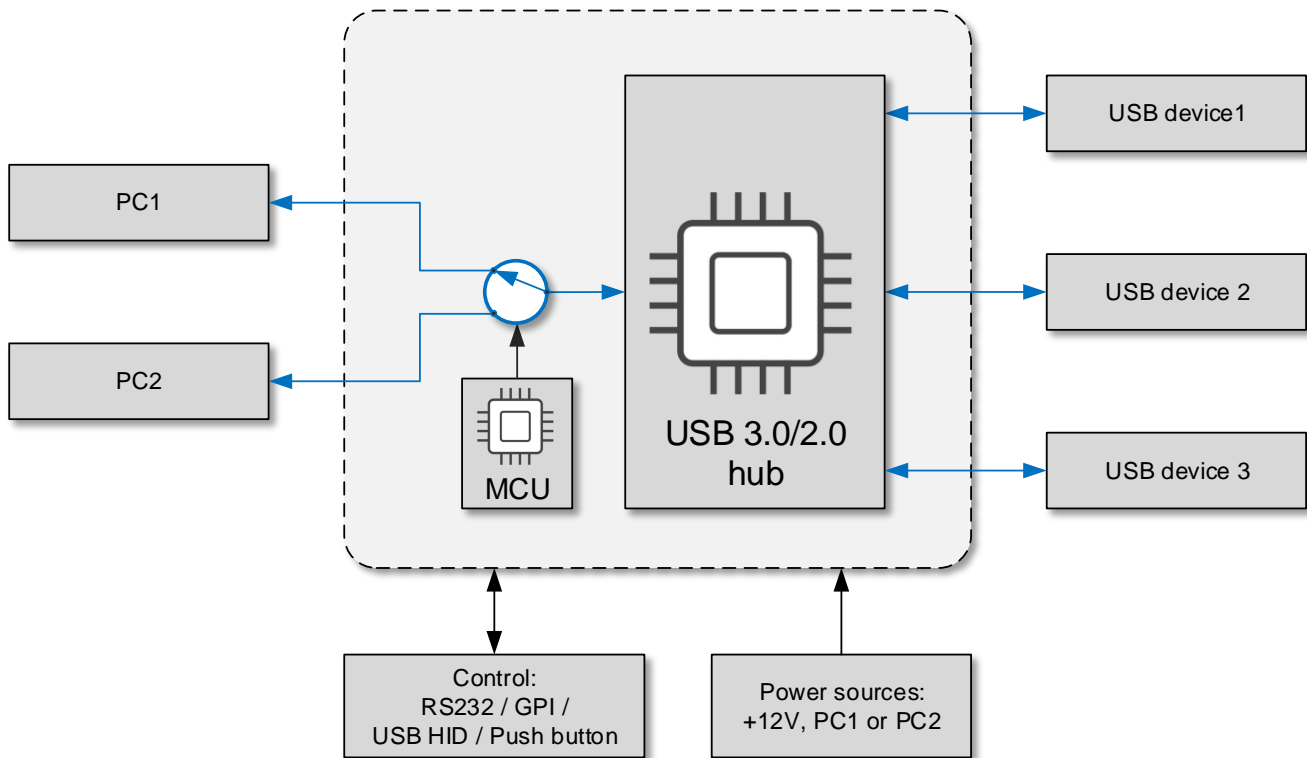
## TYPICAL APPLICATION

Here is a typical connection diagram used for the TOGGLE device in a videoconferencing setup.



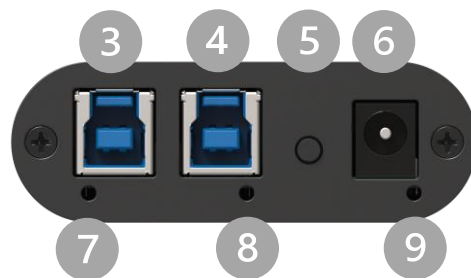
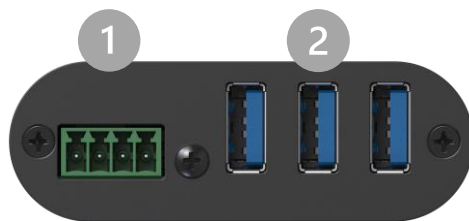
## BLOCK DIAGRAM

Here is a simple block diagram of the TOGGLE unit.



## DEVICE INTERFACES

Here are the devices interfaces.



- ① RS232 and GPIN interfaces
- ② 3 x USB-A ports for devices
- ③ PC #1 USB-B port
- ④ PC #2 USB-B port
- ⑤ Push-button
- ⑥ +12V power input
- ⑦ PC #1 led indicator
- ⑧ PC #2 led indicator
- ⑨ Power indicator

## LEDS BEHAVIOR

Here are the leds behavior:

| PCx LEDs             |   |
|----------------------|---|
| <b>OFF</b>           | No PC connected.  |
| <b>SOLID</b>         | PC currently selected.  |
| <b>BLINK</b>         | PC detected but not currently selected.   |
| Power LED            |   |
| <b>OFF</b>           | No power present on board.  |
| <b>SOLID</b>         | Power detected.   |
| <b>BLINK</b>         | Over-current detected on USB devices.   |
| <b>LED Intensity</b> | FULL intensity if power is provided through external power supply.<br>MEDIUM intensity if power is provided through USB connections (PC1 or PC2). |



**IMPORTANT: If all leds are blinking in sync, this means the unit is in the upgrade process. This happens only while you upgrade the unit.**

## OPERATING MODES

There are two modes supported by the device. They will be explained here.

### Automatic

This is the default mode. This mode will switch automatically to the last PC<sup>1</sup> connected. If the current PC is disconnected, the device will switch back to the other PC if it is detected. Push-button action and remote control are also supported.

### Manual

The manual mode will enable you to force a specific PC selection. Push-button action and remote control are also supported. It is possible to turn OFF both PCs in manual mode.

These modes can be set through our INOGENI Control App or through the RS232 interface. The mode will be saved onboard the device.

<sup>1</sup> PC: any host computer or laptop.

## SPECIFICATIONS

Here is the complete specification.

| Physical details              |  |
|-------------------------------|--|
| <b>Dimensions (W x L x H)</b> | 70 x 83 x 23 mm  |
| <b>Power supply</b>           | 12V  |
| <b>Power consumption</b>      | Up to 1.2A   |
| <b>Weight</b>                 | 113 g  |
| <b>Package content</b>        | 2 x USB 3.0 Type-B to Type-A cables.<br>1 x terminal block connection.<br>1 x 12V power supply.  |
| <b>Operating temperature</b>  | 0° to 45° C (32° to 113° F)  |
| <b>Storage temperature</b>    | -40° to 105° C (-40° to 221° F)  |
| <b>Origin</b>                 | Canada   |
| <b>Warranty</b>               | 2 years  |
| General specifications        |  |
| <b>USB host ports</b>         | 2 x Type-B USB 3.0/2.0 compatible.   |
| <b>USB device ports</b>       | 3 x Type-A USB 3.0/2.0 compatible.   |
| <b>Serial interface</b>       | Baud rate: 9600<br>For control purpose. See <b>Serial communication protocol</b> section for more details.   |
| <b>Push-button</b>            | Physical switch to select host.  |
| <b>GPIN</b>                   | Contact-closure control.<br>Controlled by open-drain IO (short to ground) or driven IO.<br>Supported voltage range: 0V to +12V max.<br>Voltage threshold is 0.7V for HW revision 2.0.<br>Voltage threshold is 2.3V for HW revision 3.0+ <sup>2</sup> . |
| <b>Device current limit</b>   | 1.8A shared current limit for all 3 x USB device ports.<br>You can monitor current consumption through RS232 and our Control App.  |
| Software                      |  |
| <b>Upgrade</b>                | Field upgradable through our INOGENI Control App.  |
| <b>Control</b>                | Automatic, manual or remote control.<br>Current configuration is saved onboard.  |

<sup>2</sup> Please use the Control App from INOGENI to identify the hardware revision of your product.

## SERIAL COMMUNICATION PROTOCOL

Here is the complete list of commands provided through the serial connection. Pinout is indicated on the enclosure.

**Baud rate:** 9600 // **Data bits:** 8 // **Stop bits:** 1 // **Parity:** None // **Flow control:** None

| Commands      | Arguments | Return   | Function description  |
|---------------|-----------|--|---|
| <b>FW</b>     | NA        | <b>"FW_VER:X.Y"</b><br>where X = MAJOR and<br>Y = MINOR version.       | Get firmware version.   |
| <b>SLCK</b>   | 0,1       | NA   | Set/unset button LOCK   |
| <b>GLCK</b>   | NA        | 0,1  | Get button LOCK status.   |
| <b>SH</b>     | 0,1,2     | NA   | Select PC.<br>0=OFF<br>1=PC1<br>2=PC2   |
| <b>GH</b>     | NA        | 0,1,2  | Get PC selected.<br>0=OFF<br>1=PC1<br>2=PC2   |
| <b>GCAUSE</b> | NA        | <b>"HOST_OFF"</b><br><b>"HOST_CHG"</b><br><b>"BTN"</b><br><b>"CMD"</b> | Get last PC switching cause:<br>- <b>HOST_OFF</b> : No inputs selected. PC selection process is changing between PC1 and PC2 or both hosts are OFF.<br><b>HOST_CHG</b> : PC1 or PC2 appeared / disappeared in mode AUTO;<br>- <b>BTN</b> : Button has been used to change PC selection.<br>- <b>CMD</b> : RS232 command has been used to change PC selection. |
| <b>GHV</b>    | 1,2       | <b>"X.YZV"</b><br>Where X = units value<br>YZ = decimal value          | Get PCx voltage.  |
| <b>GDI</b>    | 1,2,3     | <b>"X.YZA"</b><br>Where X = units value<br>YZ = decimal value          | Get device X current.   |
| <b>SGMOD</b>  | 0,1       | NA   | Set GPIN mode: (pulse = '0', level = '1')   |
| <b>GGMOD</b>  | NA        | 0,1  | Get GPIN mode (pulse = '0', level = '1')  |
| <b>GHPW</b>   | 1,2,3     | 0,1  | Get HUB power status. If report '0', then the HUB had turned OFF the specified USB port (overcurrent).  |
| <b>SAVE</b>   | NA        | NA   | Save settings.  |
| <b>SEV</b>    | 0,1       | NA   | Set/clear events (prints).  |
| <b>SM</b>     | 0,1       | NA   | Set/clear manual mode.(auto='0', manual='1')  |
| <b>GM</b>     | NA        | 0,1  | Get manual mode status.   |
| <b>DEF</b>    | NA        | NA   | Force factory default settings  |
| <b>RST</b>    | NA        | NA   | Reset MCU.  |
| <b>H</b>      | NA        | List of all commands   | Get user help.  |

You need to add a carriage return character “\r” at the end of the command string.

All commands will append to the return values 2 possible answers: “**ACK**” or “**NACK**” with “/n/r” chars.



**NOTE:** The user needs to put a space character between the command name and argument. For example, when user wants to choose HOST#2, you need to send “**SH 2r**” to the device. Please note the space character.

## GPIN MODE

With the introduction of firmware 1.1+, there are two (2x) GPIN modes: **pulse** mode and **level** mode.

- The GPIN **pulse** mode is the factory default. Each transition from HIGH to LOW on GPIN pin will force a PC change. See the following picture for the explanation of the mode.

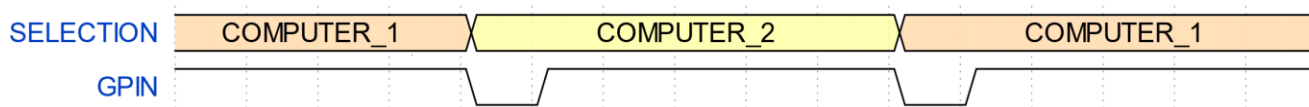


Figure 1 : GPIN Pulse Mode

- The GPIN **level** mode uses a level “0” (short to ground) and “1” (open or voltage higher than threshold) to select a specific PC.
  - o A level “0” or short to ground: PC2 is selected.
  - o A level “1” or open: PC1 is selected.

## IMPORTANT NOTES ABOUT GPIN

- It is recommended to set the Toggle in **manual mode** with the UART command “**sm**” when using the GPIN (especially with level mode). If the Toggle is used in auto mode, any changes on the PCx side will affect the PC selected even if the GPIN level mode is used.
- It is also recommended to lock the button with the UART command “**slock**” when the GPIN is used in level mode.
- For Toggle with a hardware revision of 2.0, you need to connect the external power supply to use the GPIN. The Control App software from INOGENI will report the exact hardware revision.

## SETTINGS

Some settings can be saved with the “**SAVE**” command. These settings are:

- Presence or absence of events on serial ports. Events are used for diagnostic. An event returned by the unit always starts with the string “**EVT:**” The “**SEV**” serial command is used to enable/disable the events. *This command also automatically saves this setting inside the device.*

- Manual or automatic mode for PC selection. The “**SM**” command is used to switch between manual and automatic modes. *This command also automatically saves this setting inside the device.*

- If manual mode is selected and the GPIN level mode is disabled: the specific PC selected is also saved. The “**SH**” command is used to select between PC1, PC2 or OFF. *This command also automatically saves this setting inside the device.*



- If the button is locked or not. The “**SLCK**” command is used to select between these modes. *This command also automatically saves this setting inside the device.*

- If the GPIN level mode is selected or not. The command “**SGMOD**” is used to select between these modes. *This command also automatically saves this setting inside the device.*

- The “**DEF**” command restores the default settings of the device. It will take effect immediately. The factory default settings are:

- 1) No events.
- 2) Automatic mode for PCx selection.
- 3) GPIN\_LEVEL disabled.
- 4) Button unlocked.

## INOGENI CONTROL APP

You can use our Control App to monitor firmware information, upgrade and configure your unit.



**NOTE:** You need to use the USB-B to USB-A cable provided with the box for the Control App to detect the unit.

INOGENI Control App (Version 2.91)

Update Video Help

Device: INOGENI Toggle

Connected Reset device

Preview

|        | Video Device       | Resolution | Format | Frame Rate |
|--------|--------------------|------------|--------|------------|
| ▶ PLAY | HD Pro Webcam C920 | 1280x720   | MJPG   | 30         |

|        | Audio Input Device           | Audio Output Device           | Audio Input Level |
|--------|------------------------------|-------------------------------|-------------------|
| ▶ PLAY | Microphone (HD Pro Webcam C) | Headset (AirPods de Jérôme H) |                   |

Firmware Information

USB controller: 1.2  
PID: 0x001C  
Generation version: 2.0  
Serial number: TGM113004

Device Information

Selected HOST: HOST1  
HOST1 voltage: 5.07 V  
HOST2 voltage: 0.03 V  
USB1 current: 0.00 A  
USB2 current: 0.00 A  
USB3 current: 0.00 A

USB Host Mode

USB Host auto switching  
 USB Host manual switching

GPIN Mode

Pulse Mode  
 Level Mode

Restore factory defaults



Engineered by video professionals, for video professionals, it is your most compatible USB 3.0 device. INOGENI expertise at your fingertips:

- **Expert Technical Support team** at [support@inogeni.com](mailto:support@inogeni.com) for immediate help or if you have any technical question about our products.
- Extensive **Knowledge Base** to learn from other customers experiences.

© **Copyright 2021 by INOGENI INC. All Rights Reserved.**

INOGENI name and logo are trademarks or registered trademark of INOGENI. Use of this product is subject to the terms and conditions of the license and limited warranty in effect at the time of purchase. Product specifications can change without notice.

INOGENI, Inc.  
979 de Bourgogne avenue, suite 530  
Québec  
G1W 2L4 (QC) Canada