



INOGENI TOGGLE ROOMS XT

User guide

Version 1.4

April 11, 2025

VERSION HISTORY

Version	Date	Description
1.0	October 11, 2024	First release. Preliminary version.
1.1	November 18, 2024	- Added precisions to API.
1.2	December 10, 2024	- Adding precision to RESTAPI. - Adding web interface section.
1.3	March 12, 2025	- Adding precisions to Maestro application.
1.4	April 11, 2025	- Adding precisions to Maestro application.

CONTENTS

Version history	1
Typical applications.....	3
Room PC mode with BYOD content sharing	3
BYOM (BRING your OWN MEETING).....	3
Block diagram	4
Connectivity diagram	5
Device interfaces	6
LEDs behavior	7
Operating modes	8
Room PC mode with BYOD content sharing MODE.....	8
BYOM mode.....	8
Custom mode	8
Automatic.....	8
Manual	8
Manual with fallback	8
USB Follows HDMI	8
HDMI Follows USB	8
Specifications.....	10
Serial communication protocol.....	13
REST API.....	13
Telnet	14
API Commands	15
INOGENI Maestro application.....	23
Web interface access.....	24
STATUS tab	25
SETTINGS tab	25
Operation mode	25
USB.....	26
Video.....	26

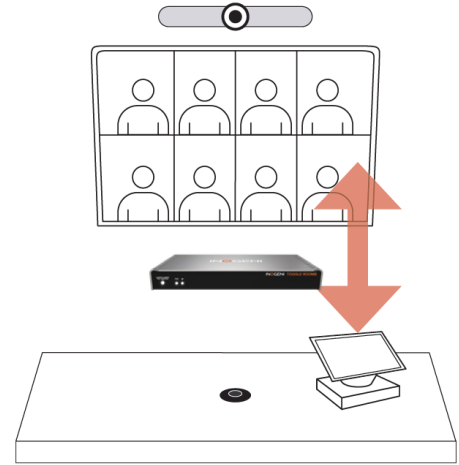
CEC display control	26
SYSTEM tab.....	27
Security	27
Web interface configuration	28
Network.....	28
RS232	28
GPI.....	29
Update	29
RESOURCES tab.....	29
INOGENI INO – BUTTON KIT	31
Mechanical specification	32
Laptop hub.....	32
RoomPC hub	33
Mounting bracket.....	34
160W power supply bracket.....	34
36W power supply bracket.....	35
DIP switches	36
Troubleshooting section.....	36
Support.....	37
Certifications	37

TYPICAL APPLICATIONS

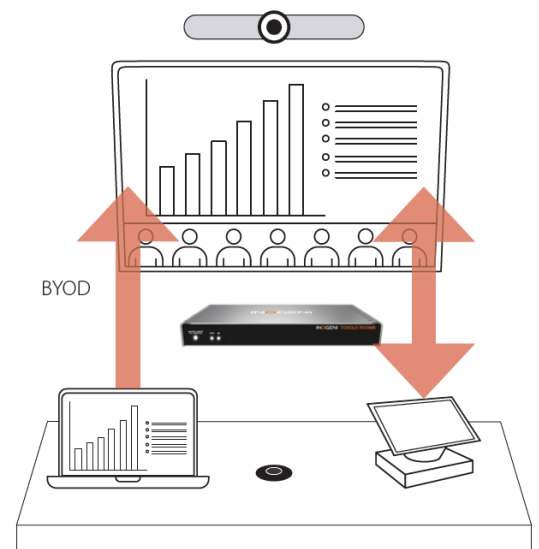
Here is a typical connection diagram used for the TOGGLE ROOMS device in a videoconferencing setup.

ROOM PC MODE WITH BYOD CONTENT SHARING

In this mode, only the Room PC USB and HDMI connections are routed to the main USB and HDMI peripherals.

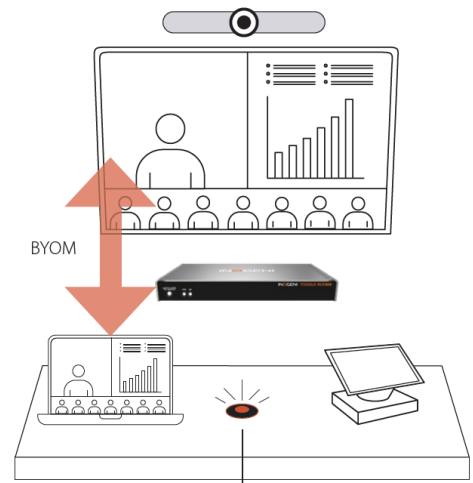


The Room PC is the system that is currently selected to the main USB and HDMI peripherals. However, if the user would like to send HDMI content from the laptop's USB-C or HDMI connection to the Room PC, it is possible to do so with the HDMI SHARE output connection.



BYOM (BRING YOUR OWN MEETING)

In this setup, the laptop is the system that is currently selected to the main USB and HDMI peripherals.



BLOCK DIAGRAM

Here is a simple block diagram to better understand the usage of the product.

TOGGLE ROOMS XT

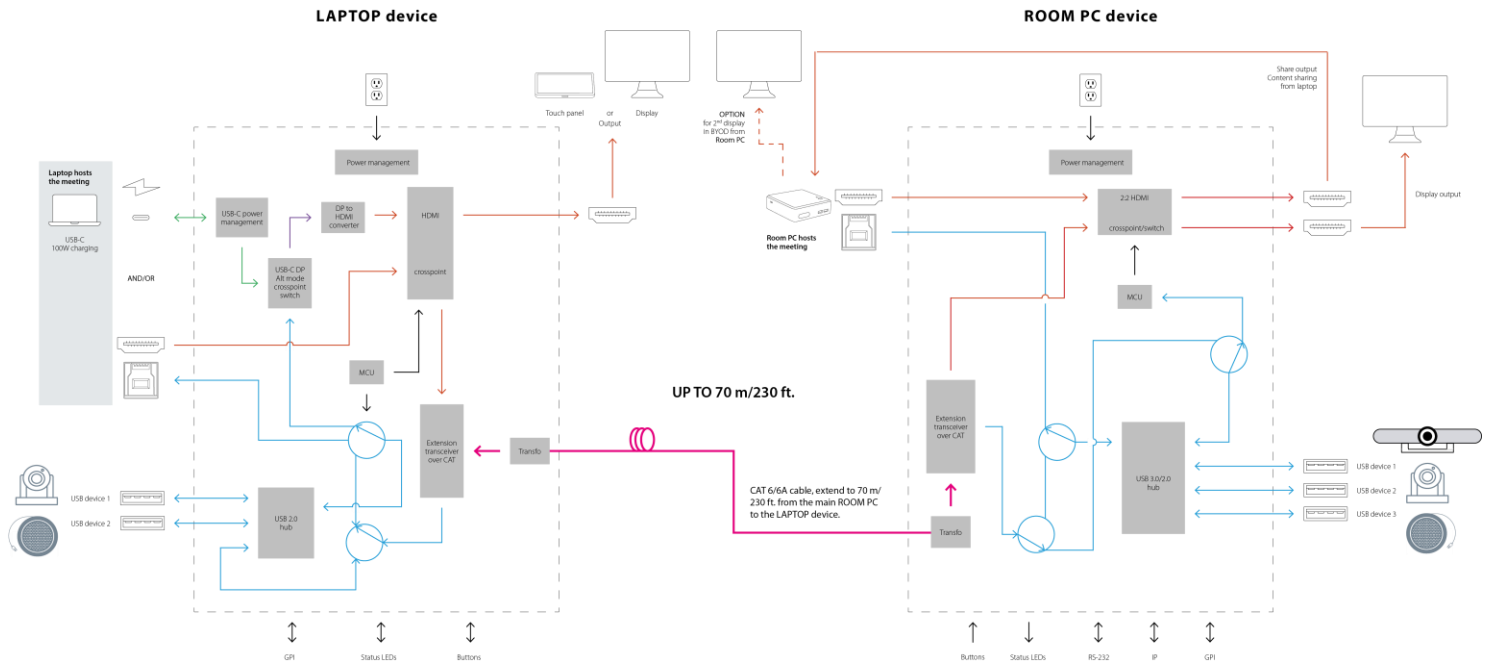


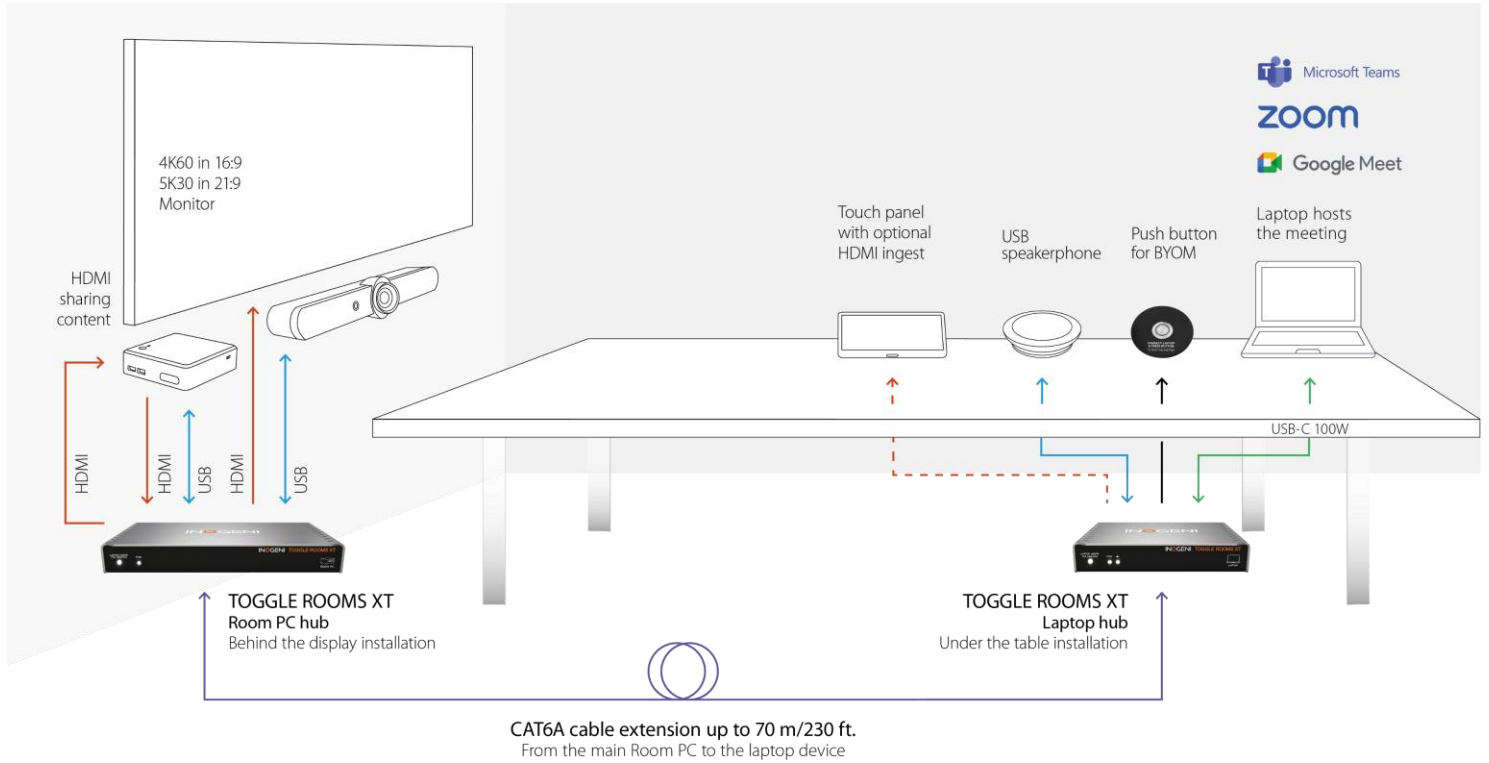
Figure 1: Basic block diagram when RoomPC and content sharing mode is activated.

CONNECTIVITY DIAGRAM

Here is a simple connectivity diagram showing

NEW TOGGLE ROOMS XT USB/HDMI VIDEOCONFERENCE HOST SWITCHER

4K BYOD/BYOM for large room: 3 host switcher for USB/HDMI devices with an extension



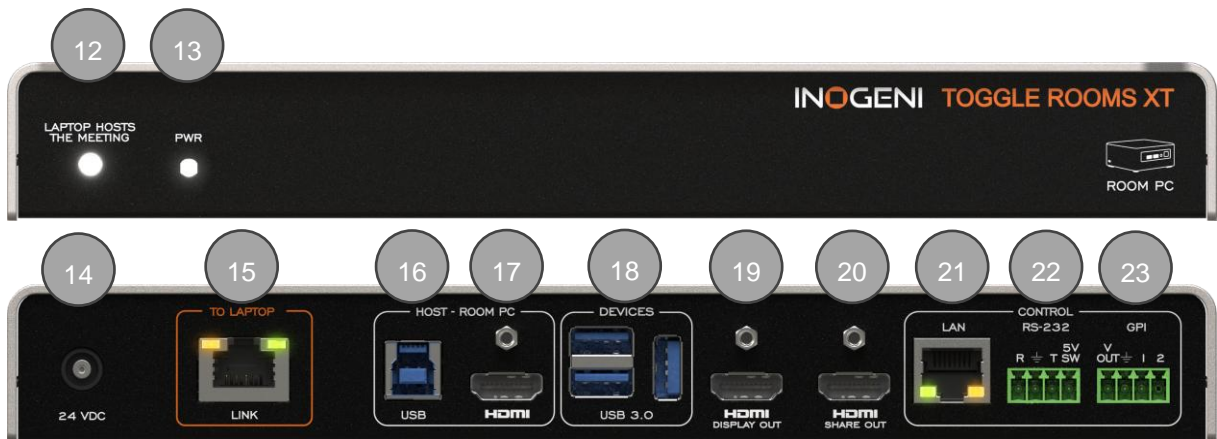
DEVICE INTERFACES

Here are the devices interfaces.

LAPTOP HUB



ROOMPC HUB




Items

Items		
LAPTOP HUB	1	LAPTOP HOST THE MEETING button. This button will connect HDMI and USB peripherals to the laptop connection for BYOM.
	2	PWR and charging status leds.
	3	USB-micro management connection.
	4	24VDC power input.
	5	HDBaseT link.
	6	USB-C laptop connection.
	7	USB-B laptop connection.
	8	HDMI laptop connection.
	9	HDMI laptop output connection.
	10	USB2.0 devices.
	11	GPI/button interface.
ROOMPC HUB	12	LAPTOP HOST THE MEETING button. This button will connect HDMI and USB peripherals to the laptop connection for BYOM.
	13	PWR status led.
	14	24VDC power input.
	15	HDBaseT link.
	16	USB-B Room PC connection.
	17	HDMI Room PC connection.
18	USB3.0 devices.	

19	HDMI display output.
20	HDMI share output from laptop.
21	LAN interface.
22	RS232 and remote interface.
23	GPI interface.

LEDS BEHAVIOR

Here are the LEDs behavior:

LAPTOP HOSTS THE MEETING	
OFF	Laptop not selected.
SOLID	Laptop selected. When user presses the button and a laptop is connected, there will be pulses on the integrated led to indicate which laptop is selected: <ul style="list-style-type: none"> - 1x pulse: the "Laptop USB-C" host is selected. - 2x pulses: the "Laptop USB-B + HDMI" host is selected.
BLINK	Error condition. <ol style="list-style-type: none"> 1. When the user tries to switch to laptop if this one is not present or if USB or HDMI connections are missing. 2. When the user tries to switch host if button is locked through our API.
PWR	
OFF	Device not powered.
SOLID	Device powered.
Charging 	
OFF	Laptop is not charging.
SOLID	Laptop is charging.
Link Orange LED	
OFF	No HDBaseT connection detected.
SOLID	HDBaseT connection detected.
Link Green LED	
OFF	No video signal over HDBaseT connection.
SOLID	Video signal with HDCP content.
BLINK	Video signal with no HDCP content.

OPERATING MODES

Here are the operating modes supported by the device. They will be explained here.

ROOM PC MODE WITH BYOD CONTENT SHARING MODE

This is the default mode. In this mode, only the Room PC USB and HDMI connections are routed to the main USB and HDMI peripherals.

The Room PC is the system that is currently selected to the main USB and HDMI peripherals. However, if the user would like to send HDMI content from the laptop's USB-C or HDMI connection to the Room PC, it is possible to do so with the HDMI SHARE output connection.

The user can also initiate a BYOM session on their laptop but a user trigger (front button, INO – BUTTON KIT or API call) needs to be done.

BYOM MODE

In this mode, the laptop is the system that is automatically selected to the main USB and HDMI peripherals when detected. The Room PC is completely disconnected from the setup. When the laptop gets disconnected, the Room PC takes over until a new laptop is plugged in.

CUSTOM MODE

In this mode, the user can configure the USB and HDMI switching modes independently.

AUTOMATIC

This mode will switch automatically to the last source (USB or HDMI) connected if the operation mode is set to Custom. If the current source is disconnected, the device will switch back to the other source if it is detected. Push-button action and remote control are also supported.

MANUAL

The manual mode will enable you to force a specific source selection. Push-button action and remote control are also supported.

MANUAL WITH FALLBACK

The manual mode with fallback supports the same features as the manual mode. It will only add the possibility to switch to the other detected source connection automatically if the selected source is disconnected.

USB FOLLOWS HDMI

In this mode, the USB host selection depends on the HDMI source selected. If the HDMI display switching mode is set to "Automatic", the selected USB host will be the one associated to the last detected HDMI display source.

Applicable only on the USB host switching mode.

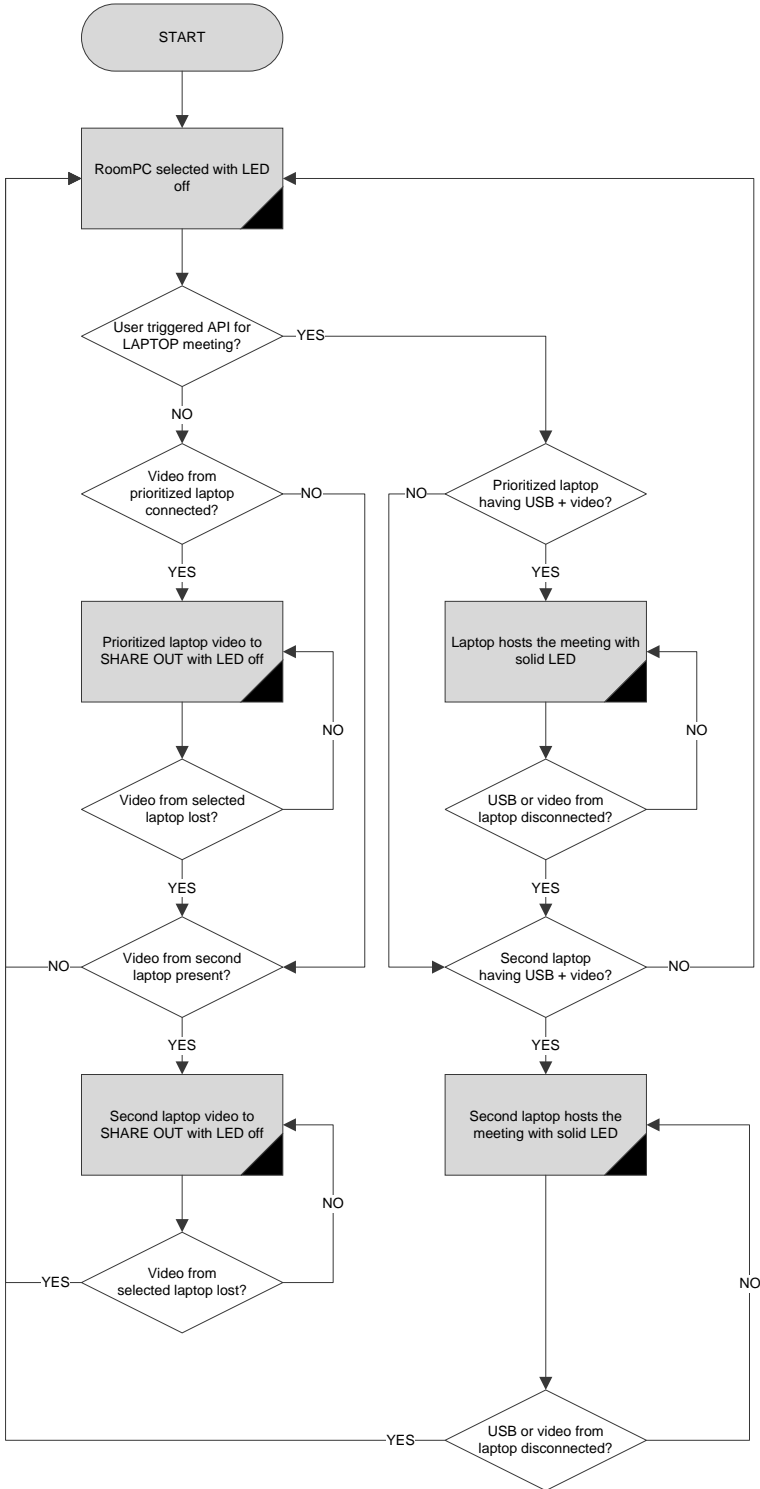
HDMI FOLLOWS USB

In this mode, the HDMI source selection depends on the USB host selected. If the USB host switching mode is set to "Automatic", the selected HDMI display source will be the one associated to the last detected USB host.

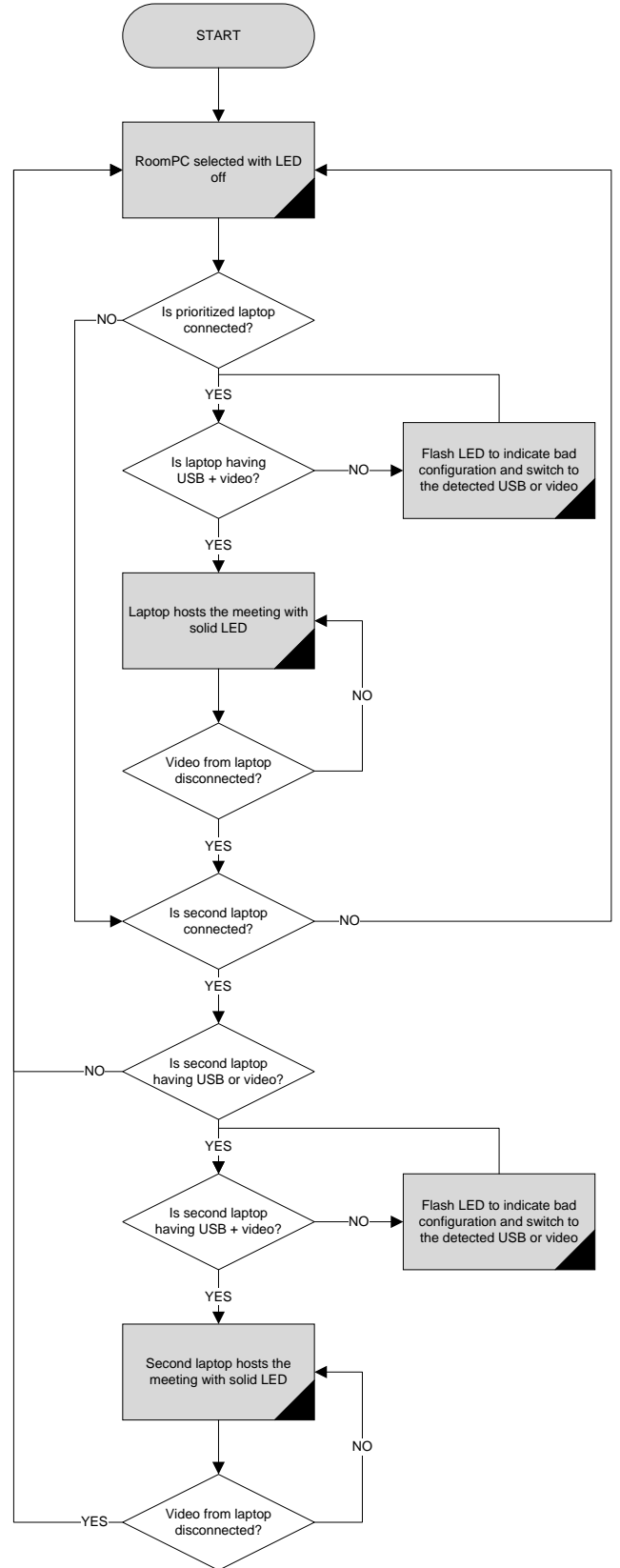


NOTE: You cannot set "USB follows HDMI" and "HDMI follows USB" modes simultaneously.

Room PC with BYOD Content sharing



BYOM



SPECIFICATIONS

Here is the complete specification.

Main feature	
Description	The TOGGLE ROOMS XT 4K60 USB/HDMI switcher effortlessly connects to five USB devices and an HDMI display. Seamlessly switching between 3 hosts, it automatically transitions to a connected laptop, providing convenient charging capabilities of up to 100W via USB-C. In addition, this versatile solution allows for remote control through RS-232 or GPI and ensures a seamless and user-friendly experience in any videoconference setting.
Link technology	HDBaseT 3.0
Link range	Up to 40 m when using 4K60 Up to 70 m when using 1080p60
Link medium	CAT6A U/FTP

Laptop hub	
USB-C connector (host #1)	Supports USB-C DisplayPort Alternate Mode <ul style="list-style-type: none"> • DisplayPort up to 3840x2160p60 / 4096x2160p60 • USB 2.0 (480 Mbps) • Charges up to 100W • USB-C cable locking option
USB connector (host #2)	USB 2.0 Type-B
HDMI input connector (host #2)	Up to 3840x2160p60 / 4096x2160p60 Cable locking option
HDMI output connector	Up to 3840x2160p60 / 4096x2160p60 Cable locking option
USB devices connectors	USB 2.0 Type-A ports for peripherals
LINK connector	HDBaseT 3.0 interface
GPI	4-POS terminal block connector 2x Contact-closure control GPI: <ul style="list-style-type: none"> • Controlled by open-drain IO (short to ground) or driven IO • Supported voltage range: 0 to 12V max • Voltage threshold is 2.3V VOUT: <ul style="list-style-type: none"> • Able to power up the LED on the button of our INO-Button accessory • Logic-low level: 0 @ 0.5V • Logic-high level: 4.5 @ 5V
Power connector	24VDC/160W

Room PC hub	
LINK connector	HDBaseT 3.0 interface
USB connector (host #3)	USB 3.0 Type-B / 5 Gbps
HDMI input connector (host #3)	Up to 3840x2160p60 / 4096x2160p60 Cable locking option
HDMI display output	Up to 3840x2160p60 / 4096x2160p60 HDMI with cable locking option
HDMI share output	Up to 3840x2160p60 / 4096x2160p60 HDMI with cable locking option
USB devices	3x USB 3.0 Type-A ports. 1.8A shared between downstream ports
GPI	4-POS terminal block connector 2x Contact-closure control GPI: <ul style="list-style-type: none"> • Controlled by open-drain IO (short to ground) or driven IO • Supported voltage range: 0 to 12V max • Voltage threshold is 2.3V VOUT: <ul style="list-style-type: none"> • Able to power up the LED on the button of our INO-Button accessory • Logic-low level: 0 @ 0.5V • Logic-high level: 4.5 @ 5V
IP interface	10/100Mbps Supports DHCP or static addressing IP control available through RESTAPI and Telnet connections
RS-232 interface	4-pos terminal block connector Baud rates: 9600 [default], 19200, 38400 and 115200 Data bits: 8

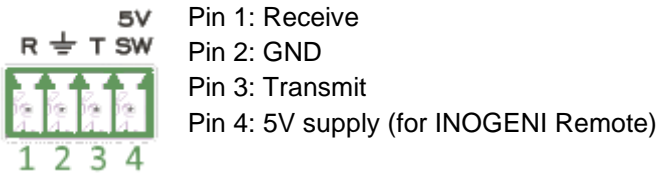
	Stop bits: 1 Parity: None Flow control: None
Power connector	24VDC/36W
HDMI video	
HDCP compliance	Compliant with HDCP2.3, HDCP2.2 and HDCP1.4
HDMI compliance	Compliant with HDMI2.0b, HDMI1.4 and DVI1.0
Sampling frequency	600MHz
Video scaling	Crosspoint switch supports video downscaling from 4K to 1080p.
Chroma subsampling	YUV/RGB 4:4:4, 4:2:2
CEC	Ability to send CEC commands to connected HDMI display sink.
HDMI audio	
Audio	Audio passthrough from input to output
Formats	LPCM, Dolby Digital, DTS up to 192kHz
Control	
Control options	Front button – For laptop selection RS232 GPI LAN USB
Compatibility	
Operating system	NO driver installation necessary Windows 7 and above (32/64-bit) macOS 10.10 and above Linux (kernel v2.6.38 and above)
Physical details	
Room PC hub - Dimensions (W x L x H)	25.10 cm x 11.57 cm x 3.26 cm 9.88" x 4.56" x 1.28"
Room PC hub - Power supply	36W (85-264VAC 50/60Hz to 24V/1.5A DC)
Room PC hub - Weight	760 g (1.68 lbs)
Laptop hub - Dimensions (W x L x H)	18.4 cm x 11.57 cm x 3.26 cm 7.24" x 4.56" x 1.28"
Laptop hub - Power supply	160W (85-264VAC 50/60Hz to 24V/6.67A DC)
Laptop hub - Weight	580 g (1.28 lbs)
Package contents	1 x TOGGLE ROOMS XT – ROOM PC device 1 x TOGGLE ROOMS XT – LAPTOP device 1 x USB-C to USB-C cable – 1.8 m /6 ft. 1 x USB 3.0 cable (USB-A to USB-B) – 1 m/3 ft. 3 x terminal block 4-pos 4 x mounting brackets 8 x M2.5 mounting screws for brackets on product 8 x screws for Toggle Rooms devices for table/wall mount 1 x power supply 85-264VAC 50/60Hz to 24V/6.67A DC for a LAPTOP hub 1 x power supply 85-264VAC 50/60Hz to 24V/1.5A DC for a ROOM PC hub 2 x international adapters included in the box (USA/CA or EU/UK/AU/BIS) 1 x Quick Start Guide / Thank You card 4 x PSU mounting bracket 8 x screws for PSU table/wall mount 8 x rubber feet
Operating temperature	0°C to 45°C 32°F to 113°F
Storage temperature	-40°C to 105°C -40°F to 221°F
Relative humidity	0% to 90% non-condensing
Mounting options	Ability to mount under the table or on a wall

Information	
UPC code - US & CAN	051497418717
UPC code - International market EU/UK/AU/BIS/	051497418724
Origin	Canada
Warranty	5 years

Certifications	
Device	FCC, CE, UKCA, RoHS, IEC62368, RCM, SoV
Power supply	FCC, CE, UKCA, RoHS, IEC62368, RCM, CCC, CB, EAC, VI, UL
TAA-compliance	Yes

SERIAL COMMUNICATION PROTOCOL

Here is the complete list of commands provided through the serial connection. As written on the back of the device, here is the pinout of the terminal block.



NOTE: The user needs to put a **space character between the command name and argument.**

You need to add a carriage return `<CR>` character and a line feed `<LF>` character at the end of the command string.

Typically, commands will return `"ACK<CR><LF>"` in case of success and `"NACK<CR><LF>"` in case of failure.

Baud rate: 9600 [default] // **Data bits:** 8 // **Stop bits:** 1 // **Parity:** None // **Flow control:** None

See the "API Commands" section for all the commands available.

REST API

You can enable a bearer authentication in the HTTP header (Authorization: Bearer <token>) through our configuration page to increase security on the API.

There will be a return code to each call with the following commands:

200 => success

400 => error

401 => authorization error

The return body will usually be JSON formatted with a `"message"` field containing a JSON string explaining the cause of the error or "success" in case of success. Note that we are using self-signed certificates.

It is also possible to embed arguments to an API call inside the URL to ease configuration with some control systems with the following topology:

GET `https://<IP>/api/v1/<COMMAND>?<ARG1>=value&<ARG2>=value`

where `<COMMAND>`, `<ARG1>` and `<ARG2>` are command and associated arguments.

For example, using the `usbHost` command, you can issue the following request:

GET `https://<IP>/api/v1/usbHost?host=1`

This request will set the USB host to laptop USB-C port.

The following commands allow to perform password management and bearer token management. By default, no authentication is required to perform action using the REST API. Authentication can be enabled through the embedded webpage or the REST API itself.

Command URL / Description	Body arguments	Return body
HTTP POST https://<IP>/api/v1/changePassword Change the password to <newPassword>.	<pre>{ "oldPassword": "<oldPassword>", "newPassword": "<newPassword>" }</pre>	<pre>{ "message": <String> }</pre>
HTTP GET https://<IP>/api/v1/accessToken Return the bearer token.		<pre>{ "token": <String> "message": <String> }</pre>
HTTP POST https://<IP>/api/v1/accessToken Generate random access token and activate bearer token authentication for REST API.		<pre>{ "token": <String> "message": <String> }</pre>
HTTP DELETE https://<IP>/api/v1/accessToken Delete and deactivate bearer token.		<pre>{ "message": <String> }</pre>
HTTP GET https://<IP>/api/v1/accessTokenEn?enable=<number> Activate (1) or Deactivate (0) access token for REST APIs		<pre>{ "message": <String> }</pre>

The bearer token is generated using a random process. The format of the bearer token only supports the following:

- Alphanumeric (A to Z) upper and lowercase characters.
- Numbers 0-9.

See the “API Commands” section for all the commands available.

TELNET

You can use any telnet application to communicate with the device using TCP. Make sure to use the right IP address and **port 23**.

Use the serial communication protocol to configure the device.

The `quit` command can be used to ask server for disconnection.

See the “API Commands” section for all the commands available.

API COMMANDS

Here is the list of the RS232 and RESTAPI commands available for the device. The two interfaces share the same API.

TX When command have all body arguments, it will apply the configuration to the device.

RX When command does not have any body arguments or only first argument is provided, it will return information from the device.

API command (RS232 - RESTAPI)	Description	RS232 payload	RS232 return	RESTAPI payload	RESTAPI return
AUTOHDMICECPWR - autoHdmiCecPwr	Get/Set the automatic CEC power control of the connected display. When enabled, the device will turn on/off the display depending on the actual state of the HDMI source routed to the display. <enable> options: 0 => OFF 1 => ON	TX <enable>	ACK<CR><LF>	enable=<enable>	{ "message": <String> }
		RX	ENABLE=<enable><CR><LF> ACK<CR><LF>		{ "enable": <enable>, "message": <String> }
BAUDRATE - baudrate	Set RS232 baud rate. <baudrate> options: 0 => 9600 1 => 19200 2 => 38400 3 => 115200	TX <baudrate>	ACK<CR><LF>	baudrate=<baudrate>	{ "message": <String> }
		RX	BAUDRATE=<baudrate><CR><LF> > ACK<CR><LF>		{ "baudrate": <baudrate>, "message": <String> }
BTNLOCK - btnLock	Get/Set the button lock status. <lockState> options: 0 => Not locked 1 => Locked	TX <lockState>	ACK<CR><LF>	btnLock=<lockState>	{ "message": <String> }
		RX	BTNLOCK=<lockState><CR><LF> > ACK<CR><LF>		{ "btnLock": <lockState>, "message": <String> }
CECPASSTHROUGHEN - cecPassthroughEn	Get/Set CEC passthrough setting from source to display. This setting allows CEC commands to be sent or not from the video source to the connected display. Manual CEC commands will continue to work regardless of this setting. <enable> options: 0 => OFF 1 => ON [default]	TX <enable>	ACK<CR><LF>	enable=<enable>	{ "message": <String> }
		RX	ENABLE=<src><CR><LF> ACK<CR><LF>		{ "enable": <host>, "message": <String> }
CECTOGGLEMUTE - cecToggleMute	Toggle mute control.	TX	ACK<CR><LF>		{ "message": <String> }
CECVOLDOWN - cecVolDown	Decrease display volume.	TX	ACK<CR><LF>		{ "message": <String> }
CECVOLUP - cecVolUp	Increase display volume.	TX	ACK<CR><LF>		{ "message": <String> }
DISPLAYSRC - displaySrc	Get/Set which HDMI source to be routed to display output. <src> options:	TX <src>	ACK<CR><LF>	displaySrc=<src>	{ "message": <String> }


API command (RS232 - RESTAPI)	Description	RS232 payload	RS232 return	RESTAPI payload	RESTAPI return
	0 => RoomPC 1 => Laptop USB-C 2 => Laptop HDMI 3 => OFF	RX	DISPLAYSRC=<src><CR><LF> ACK<CR><LF>		{ "displaySrc": <src>, "message": <String> }
DISPLAYSWMODE - displaySwMode	Get/Set HDMI display source switching mode. The operation mode must be set to "Custom" to use this. <swMode> options: 0 => Automatic mode [default] 1 => Manual mode 2 => Manual mode with fallback 3 => HDMI follows USB mode	TX <swMode>	ACK<CR><LF>	displaySwMode=<swMode>	{ "message": <String> }
		RX	DISPLAYSWMODE=<host><CR><LF> ACK<CR><LF>		{ "displaySwMode": <swMode>, "message": <String> }
EDID - edid	Set specific EDID modes to be reported to video source. <src> options: 0 => RoomPC 1 => Laptop USB-C 2 => Laptop HDMI <edid> options: 0 => Passthrough 1 => User EDID 2 => 3840x2160p60 3 => 3840x2160p50 4 => 3840x2160p30 5 => 3840x2160p25 6 => 1920x1080p60 7 => 1920x1080p50 8 => 1280x720p60 9 => 1280x720p50 10 => 5120x2160p30 11 => 5120x2160p25	TX <src> <edid>	ACK<CR><LF>	src=<src> edid=<edid>	{ "message": <String> }
		RX	EDID=<edid><CR><LF> ACK<CR><LF>	src=<src>	{ "edid": <edid>, "message": <String> }
EDIDHDMIOUT - edidHdmiOut	Get/Set the EDID from the sink and report it to the associated source. This will put the EDID mode of the associated source to "User EDID". <sink> options: 0 => Display 1 => SHARE OUT 2 => Laptop OUT <src> options: 0 => RoomPC 1 => Laptop USB-C 2 => Laptop HDMI <edidHdmiOut> => formatted 256 bytes array	TX <sink> <src>	ACK<CR><LF>	src=<sink> src=<src>	{ "message": <String> }
		RX <sink>	EDIDUSR=<edidUsr><CR><LF> ACK<CR><LF>	sink=<sink>	{ "edidHdmiOut": <edidHdmiOut>, "message": <String> }
EDIDUSR - edidUsr	Set specific EDID modes to be reported to video source. <src> options:	TX <src> <256 bytes array>	ACK<CR><LF>	src=<src> edidUsr=<256 bytes array>	{ "message": <String> }

API command (RS232 - RESTAPI)	Description	RS232 payload	RS232 return	RESTAPI payload	RESTAPI return
	0 => RoomPC 1 => Laptop USB-C 2 => Laptop HDMI <edidUsr> => formatted 256 bytes array Get/Set the GPI configuration.	RX <src>	EDIDUSR=<edidUsr><CR><LF> ACK<CR><LF>	src=<src>	{ "edidUsr": <edidUsr>, "message": <String> }
GPICFG - gpiCfg	NOTE: In pulse mode, a short to GND on this pin will trigger the function. The function will be executed on GPI falling edge. GPI rising edge has no effect. In level mode, the function will be executed on short to GND and open states. <gpi> options: 1 => GPI1 2 => GPI2 <mode> options: 0 => Pulse mode [default] 1 => Level mode <function> options: 0 => Disabled. 1 => BYOM mode control [default GPI1] SHORT = LAPTOP OPEN = ROOMPC 2 => USB host control [default GPI2] SHORT = LAPTOP OPEN = ROOMPC 3 => Display video source control SHORT = LAPTOP USB-C/HDMI OPEN = ROOMPC 4 => Share output video source control SHORT = LAPTOP USB-C OPEN = LAPTOP HDMI	TX <gpi> <mode> <function>	ACK<CR><LF>	gpi=<gpi> mode=<mode> function=<function>	{ "message": <String> }
		RX <src>	MODE=<mode><CR><LF> FUNCTION=<function><CR><LF> > ACK<CR><LF>	gpi=<gpi>	{ "mode": <mode>, "function": <function>, "message": <String> }
HDCPCTL - hdcpCtl	Get/Set the HDCP setting. <src> options: 0 => RoomPC 1 => Laptop USB-C 2 => Laptop HDMI <hdcp> options: 0 => Disabled 1 => HDCP v1.4 2 => HDCP v2.2 3 => Auto	TX <src> <hdcp>	ACK<CR><LF>	src=<src> hdcp=<hdcp>	{ "message": <String> }
		RX <src>	HDCP=<hdcp><CR><LF> ACK<CR><LF>	src=<src>	{ "hdcp": <hdcp>, "message": <String> }
HELP - help	Return commands list with description.	RX	List of all the supported commands.		List of all the supported commands.
HOSTBUTTON - hostButton	This function gives the same functionality as the front button or the INO – BUTTON KIT action.	TX	ACK<CR><LF>		{ "message": <String> }
HOSTMEETING - hostMeeting	This function allows the device to switch USB and HDMI connections to the provided host connection. This is a momentary control. As soon as there are events over USB and HDMI signals, the preconfigured modes will take over. This control is similar to the actual front button	TX <host>	ACK<CR><LF>	host=<host>	{ "host": <host>, "message": <String> }

API command (RS232 - RESTAPI)	Description	RS232 payload	RS232 return	RESTAPI payload	RESTAPI return
	and also when user is using the INO – BUTTON KIT. <host> options: 0 => RoomPC 1 => Laptop USB-C 2 => Laptop USB-B/HDMI				
HOSTNAME - hostname	Get/Set the hostname of the device. This command will change the device name when probed over the network and the name of the USB HID interface	TX <hostname>	ACK<CR><LF>	hostname=<hostname>	{ "message": <String> }
	<hostname> option: String defined hostname to be shown on the network and USB HID interface. This string must not have space characters.	RX	HOSTNAME=<src><CR><LF> ACK<CR><LF>		{ "hostname": <host>, "message": <String> }
HTTPEN - httpEn	Get/Set HTTP control setting. <enable> options: 0 => OFF 1 => ON	TX <enable>	ACK<CR><LF>	enable=<enable>	{ "message": <String> }
		RX	ENABLE=<enable><CR><LF> ACK<CR><LF>		{ "enable": <enable>, "message": <String> }
LAPTOPSRC - laptopSrc	Get/Set the video source routed to LAPTOP HDMI output. <src> options: 1 => Laptop USB-C 2 => Laptop HDMI 3 => OFF	TX <src>	ACK<CR><LF>	laptopSrc=<src>	{ "message": <String> }
		RX	LAPTOPSRC=<src><CR><LF> ACK<CR><LF>		{ "laptopSrc": <src>, "message": <String> }
LINKSTATUS - link	Get HDBaseT link status <status> indicates the link status. <len> indicates the estimated length. <q> indicates the quality factor. <chX> indicate de measurement of the associated pair A, B, C or D. <ret> indicates the retransmission rate over the link.	TX	HDBTLINK=<status><CR><LF> HDBTCABLEL=<len><CR><LF> HDBTCABLEQ=<q><CR><LF> HDBTMAXERR=<cha>, <chb> <chc>, <chd><CR><LF> HDBTMSE=<cha>, <chb> <chc>, <chd><CR><LF> HDBTMSEWINDOW=<cha>, <chb> <chc>, <chd><CR><LF> HDBTRETRANRATE=<ret> ACK<CR><LF>		{ "Link": { "HdbtLink": <status>, "HdbtCableLength": <len>, "HdbtCableQuality": <q>, "HdbtMaxError": [<cha>, <chb>, <chc>, <chd>], "HdbtMse": [<cha>, <chb>, <chc>, <chd>], "HdbtMseWindow": [<cha>, <chb>, <chc>, <chd>], "HdbtRetransmissionRate": <ret> } }

API command (RS232 - RESTAPI)	Description	RS232 payload	RS232 return	RESTAPI payload	RESTAPI return
NETWORK - network	Get/Set network settings. <mode> options: static => addressing is static dhcp => use DHCP addressing If mode is static, IP and netmask are required while gateway is optional.	TX <mode> <ip> <netmask> <gateway>	ACK<CR><LF>	mode=<mode> ip=<ip> netmask=<netmask> gateway=<gateway>	{ "message": <String> }
	<ip> option: String defined IP address. Example: 192.168.0.20 <netmask> option: String defined netmask address. Example: 255.255.0.0 <gateway> option: String defined gateway address. Example: 192.168.0.1	RX	MODE=<mode><CR><LF> IP=<ip><CR><LF> NETMASK=<netmask><CR><LF> GATEWAY=<gateway><CR><LF> ACK<CR><LF>	{ "mode": <static, dhcp>, "ip": <ip>, "netmask": <netmask>, "gateway": <gateway>, "message": <String> }	
OPMODE - opMode	Get/Set operation mode. By default, the device will operate in RoomPC / BYOD mode – RoomPC USB and HDMI peripherals selected, and laptop sends video content only to SHARE output. The user will need to trigger our API or use the GPI interface to connect USB and HDMI to the laptop. When BYOM mode is set, the device will automatically switch all HDMI and USB peripherals to the laptop as soon as it is detected. The RoomPC is always selected if there is no laptop detected. When Custom mode is set, the user can set the USB, display and share source switching modes independently.	TX <opMode>	ACK<CR><LF>	opMode=<opMode>	{ "message": <String> }
	<opMode> options: 0 => RoomPC with BYOD/content sharing [default] 1 => BYOM 2 => Custom	RX	OPMODE=<src><CR><LF> ACK<CR><LF>	{ "opMode": <opMode>, "message": <String> }	
PRIORDISPLAYSRC - priorDisplaySrc	Get/Set display source priority. Only applicable when operation mode is set to "Custom" and display source switching mode is set to "automatic" or "manual with fallback".	TX <src>	ACK<CR><LF>	priorDisplaySrc=<src>	{ "message": <String> }
	<src> options: 0 => RoomPC 1 => Laptop USB-C 2 => Laptop HDMI 3 => Last detected source [default]	RX	PRIORDISPLAYSRC=<src><CR><LF> ACK<CR><LF>	{ "priorDisplaySrc": <host>, "message": <String> }	
PRIORHOSTMEETING - priorHostMeeting	Get/Set host system priority. The function will select which computer to use as the prioritized source, including USB and video associated to the same computer. Only applicable when operation mode is set to "RoomPC / BYOD content sharing"	TX <host>	ACK<CR><LF>	host=<host>	{ "message": <String> }

API command (RS232 - RESTAPI)	Description	RS232 payload	RS232 return	RESTAPI payload	RESTAPI return
	and "BYOM". <host> options: 1 => Laptop USB-C 2 => Laptop USB-B/HDMI 3 => Last detected laptop [default]	RX	PRIORHOSTMEETING=<host><CR><LF><LF> ACK<CR><LF>		{ "priorHostMeeting": <host>, "message": <String> }
PRIORLAPTOPSRC - priorLaptopSrc	Get/Set laptop source priority. <src> options: 1 => Laptop USB-C 2 => Laptop HDMI 3 => Last detected laptop [default]	TX	<src> ACK<CR><LF>	priorLaptopSrc=<src>	{ "message": <String> }
		RX	PRIORLAPTOPSRC=<src><CR><LF> ACK<CR><LF>		{ "priorLaptopSrc": <src>, "message": <String> }
PRIORSHARESRC - priorShareSrc	Get/Set share source priority. Only applicable when operation mode is set to "Custom" and share source switching mode is set to "automatic" or "manual with fallback". <src> options: 0 => RoomPC 1 => Laptop USB-C 2 => Laptop HDMI 3 => Last detected source [default]	TX	<src> ACK<CR><LF>	priorShareSrc=<src>	{ "message": <String> }
		RX	PRIORSHARESRC=<src><CR><LF> ACK<CR><LF>		{ "priorShareSrc": <host>, "message": <String> }
PRIORUSBHOST - priorUsbHost	Get/Set USB priority. Only applicable when operation mode is set to "Custom" and USB host switching mode is set to "automatic" or "manual with fallback". <host> options: 0 => RoomPC 1 => Laptop USB-C 2 => Laptop USB-B 3 => Last detected host [default]	TX	<host> ACK<CR><LF>	priorUsbHost=<host>	{ "message": <String> }
		RX	PRIORUSBHOST=<host><CR><LF> ACK<CR><LF>		{ "priorUsbHost": <host>, "message": <String> }
REBOOT - reboot	Reboot the device.	TX	ACK<CR><LF>		{ "message": <String> }
RSTR - rstr	Restore default settings (including password and REST API token).	TX	ACK<CR><LF>		{ "message": <String> }
SCALER - scaler	Get/Set the scaler options over the HDMI video outputs. <output> options: 0 => Display output 1 => Share output <enable> options: 0 => OFF 1 => ON	TX	<output> <enable> ACK<CR><LF>	output=<output> enable=<enable>	{ "message": <String> }
		RX	<output> ENABLE=<enable><CR><LF> ACK<CR><LF>	output=<output>	{ "enable": <enable>, "message": <String> }

API command (RS232 - RESTAPI)	Description	RS232 payload	RS232 return	RESTAPI payload	RESTAPI return
SHARESRC - shareSrc	Get/Set which HDMI source to be routed to share output. <src> options: 0 => RoomPC [Not supported in automatic mode] 1 => Laptop USB-C 2 => Laptop HDMI 3 => OFF	TX <src>	ACK<CR><LF>	shareSrc=<src>	{ "message": <String> }
		RX	SHARESRC=<src><CR><LF> ACK<CR><LF>		{ "shareSrc": <src>, "message": <String> }
SHARESWMODE - shareSwMode	Get/Set HDMI share source switching mode. The operation mode must be set to "Custom" to use this. <swMode> options: 0 => Automatic mode [default] 1 => Manual mode 2 => Manual mode with fallback 3 => HDMI follows USB mode	TX <swMode>	ACK<CR><LF>	shareSwMode=<swMode>	{ "message": <String> }
		RX	SHARESWMODE=<host><CR><LF> ACK<CR><LF>		{ "shareSwMode": <swMode>, "message": <String> }
STATUS - status	Return laptop and RoomPC information, display and share output timings.	RX	List of all the status of the device.		List of all the status of the device.
TELNETEN - telnetEn	Get/Set telnet control setting. <enable> options: 0 => OFF 1 => ON	TX <enable>	ACK<CR><LF>	enable=<enable>	{ "message": <String> }
		RX	ENABLE=<enable><CR><LF> ACK<CR><LF>		{ "enable": <enable>, "message": <String> }
USBDEVEN - usbDevEn	Get/Set the power on USB devices ports according to specific hosts. <host> options: 0 => RoomPC 1 => Laptop USB-C 2 => Laptop HDMI 3 => When no host detected <devices> options: Bitmask to enabled ports. 	TX <host> <devices>	ACK<CR><LF>	host=<host> devices=<devices>	{ "message": <String> }
		RX <host>	DEVICES=<devices><CR><LF> ACK<CR><LF>	host=<host>	{ "devices": <devices>, "message": <String> }
USBHOST - usbHost	Get/Set USB host to use. <host> options: 0 => RoomPC 1 => Laptop USB-C	TX <host>	ACK<CR><LF>	usbHost=<host>	{ "message": <String> }

API command (RS232 - RESTAPI)	Description	RS232 payload	RS232 return	RESTAPI payload	RESTAPI return
	2 => Laptop USB-B 3 => OFF 4 => RoomPC with HID connection*. * In this mode, the HID interface of the device will be detected over the RoomPC connection. However, remote USB devices connected on the laptop hub will not be seen.	RX	USBHOST=<host><CR><LF> ACK<CR><LF>		<pre>{ "usbHost": <host>, "message": <String> }</pre>
USBHOSTSWMODE - usbHostSwMode	Get/Set USB host switching mode. The operation mode must be set to "Custom" to use this. <swMode> options: 0 => Automatic mode [default] 1 => Manual mode 2 => Manual mode with fallback 3 => USB follows HDMI mode	TX <swMode>	ACK<CR><LF>	usbHostSwMode=<swMode>	<pre>{ "message": <String> }</pre>
		RX	USBHOSTSWMODE=<host><CR><LF> ACK<CR><LF>		<pre>{ "usbHostSwMode": <swMode>, "message": <String> }</pre>
VERSION - version	Return firmware version.	RX	MAJOR=<Integer><CR><LF> MINOR=<Integer><CR><LF> ACK<CR><LF>		<pre>{ "major": <Integer>, "minor": <Integer> }</pre>
VOUT - vout	Get/Set the VOUT level. NOTE: By default, the firmware will drive this output to power up a led when enabling the BYOM mode. If the user wants to override this behavior, it is possible by changing the <vout> option. <vout> options: 0 => Controlled by firmware. 1 => Logic-low. 2 => Logic-high.	TX <vout>	ACK<CR><LF>	vout=<vout>	<pre>{ "message": <String> }</pre>
		RX	VOUT=<vout><CR><LF> ACK<CR><LF>		<pre>{ "vout": <vout>, "message": <String> }</pre>

You can use our [INOGENI Maestro](#) application to monitor firmware information and upgrade your unit.



NOTE: You need to use the USB-B to USB-A cable provided with the box for the Maestro application to detect the unit.

Be sure to use INOGENI Maestro v2.0.0 or later.



DEVICE DETECTED

TOGGLE ROOMS XT	Room INOGENI
Connection IP	192.168.0.1
Firmware version	1.23.4.2

SHARE2U	Room PRO AV
Connection IP	192.168.0.1
Firmware version	1.23.4.2

TOGGLE ROOMS XT



GENERAL	
Firmware version	1.23.4.2
MAC	E4:5F:01:EA:77:4D
IP	192.168.0.1
USB Speed	USB 3.0
Serial number	KCS2370089

USB HOST	
Selected USB host	ROOM PC

INPUTS	
USB-C DisplayPort	3840 X 2160P @ 60HZ
Laptop HDMI	3840 X 2160P @ 60HZ
Room PC HDMI	3840 X 2160P @ 60HZ

OUTPUTS	
Display	3840 X 2160P @ 60HZ
Share	3840 X 2160P @ 60HZ

LINK	
Link	Active / Inactive
Estimated distance	N/A / C. m
Signal integrity	OK / FAIL
Pair A	OK
Pair B	FAIL
Pair C	FAIL
Pair D	OK

REBOOT DEVICE

LAPTOP HOSTS THE MEETING

STATUS

SETTINGS

SYSTEM

RESOURCES

PREVIEW

GENERAL

Firmware Version	1.23.4.2
Hardware Revision	1.0
MAC Address	E4:5F:01:EA:77:4D
IP Mode	192.168.0.1
IP Address	192.168.0.81
Subnet mask	255.255.255.0
Gateway	192.168.0.1

DEVICE CONFIGURATION

Operation mode	Custom
DISPLAY switching mode	Automatic
DISPLAY source priority	Last detected source
SHARE switching mode	Automatic
SHARE source priority	Last detected source
USB switching mode	Automatic
USB source priority	Last detected source
Selected DISPLAY source	Room PC
Selected SHARE source	OFF
Selected USB host	Room PC
USB-C 4K60 support	OFF

VIDEO INPUTS

Laptop USB-C	
Resolution	3840x2160p @ 60Hz
HDCP	OFF
EDID mode	Passthrough
Laptop HDMI	
Resolution	3840x2160p @ 60Hz
HDCP	OFF
EDID mode	Passthrough
Room PC	
Resolution	3840x2160p @ 60Hz
HDCP	OFF
EDID mode	1080p60

VIDEO OUTPUTS

Display	
Selected source	Room PC
Source scaler	OFF
Share	
Selected source	OFF
Source scaler	OFF



INOGENI – TOGGLE ROOMS XT User Guide

23

WEB INTERFACE ACCESS

A web interface is available for the device. This one is accessible through your network.



Since the device supports the mDNS networking protocol, you can access the web interface of the device using the link-local networking URL below the device next to the MAC address under the RoomPC hub. This URL will end with the **.local** suffix like shown in this example:

38:76:05:00:80:00
toggle-rooms-xt-008000.local

You can access the device using any browser and enter the URL with the **.local** suffix or the IP address of the unit if you have this information. You will be prompted with a login dialog. At first connection, the device will ask you to configure a new password.

The screenshot shows the web interface of the TOGGLE ROOMS XT device. On the left, a login dialog is displayed with a 'Submit' button. The main dashboard is titled 'TOGGLE ROOMS XT-00300c' and features several tabs: STATUS, SETTINGS, SYSTEM, and RESOURCES. The STATUS tab is active, displaying a table of device information:

GENERAL	INPUTS	HDBT LINK	
Firmware version: 1.2	1.2 USB-C DisplayPort	1920x1080p60.00Hz	Link
MAC address: 38:76:05:00:30:0C	Laptop HDMI	No video	Estimated distance: 7 m
IP address: 192.168.0.183	Room PC	No video	Signal integrity: OK
Serial number: XTB4460012		Pair A	OK
USB HOST	OUTPUTS	Pair B	OK
Selected USB host: Room PC	Display	Pair C	OK
	Share	Pair D	OK
	Laptop	No video	
		1920x1080p60.00Hz	No video

Below the table, there are sections for 'Laptop USB-C', 'Laptop HDMI', 'Video inputs', 'Video outputs', 'Display', and 'Share'. The 'Display' section shows 'Selected source: Room PC' and 'Source scaler: OFF'. The 'Share' section shows 'Selected source: Laptop USB-C' and 'Source scaler: OFF'. On the right side, there are buttons for 'REBOOT DEVICE', 'LAPTOP HOSTS THE MEETING', and 'LOGOUT'.

When you enter the web interface, you will get access to the general information of the device. This information is always available when you navigate through the tabs.

This screenshot shows the 'GENERAL' section of the web interface. It displays the following information:

GENERAL	INPUTS	HDBT LINK	
Firmware version: 1.2	USB-C DisplayPort	1920x1080p60.00Hz	Link
MAC address: 38:76:05:00:30:0C	Laptop HDMI	No video	Estimated distance: 7 m
IP address: 192.168.0.183	Room PC	No video	Signal integrity: OK
Serial number: XTB4460012		Pair A	OK
USB HOST	OUTPUTS	Pair B	OK
Selected USB host: Room PC	Display	Pair C	OK
	Share	Pair D	OK
	Laptop	No video	
		1920x1080p60.00Hz	No video

- General section with firmware version, MAC address, IP address and serial number of the unit.
- USB host selected
- Status of video inputs and outputs
- HDBaseT / Link information like estimated distance and signal integrity over the CAT cable pairs.
- Buttons to reboot the unit, initiate a "laptop hosts the meeting" trigger and the logout action.

STATUS TAB

This section contains all the firmware information, video sources detections/resolutions along with the actual configuration of the unit.

STATUS	SETTINGS	SYSTEM	RESOURCES
GENERAL		DEVICE CONFIGURATION	
Firmware version	1.2	Operation Mode	RoomPC with BYOD
Hardware Revision	1.3	Host system priority	Last detected source
MAC address	38:76:05:00:30:0C	Selected DISPLAY source	Room PC
IP Mode	DHCP	Selected SHARE source	Laptop USB-C
IP address	192.168.0.183	Selected LAPTOP source	Laptop USB-C
Subnet Mask	255.255.255.0	Selected USB host	Room PC
Gateway	192.168.0.1		
Video inputs		Video outputs	
Laptop USB-C		Display	
Resolution	1920x1080p60.00Hz	Selected source	Room PC
HDCP	OFF	Source scaler	OFF
EDID mode	1080p60 EDID		
Laptop HDMI		Share	
Resolution	No video	Selected source	Laptop USB-C
HDCP	OFF	Source scaler	OFF
EDID mode	1080p60 EDID		
		Laptop	

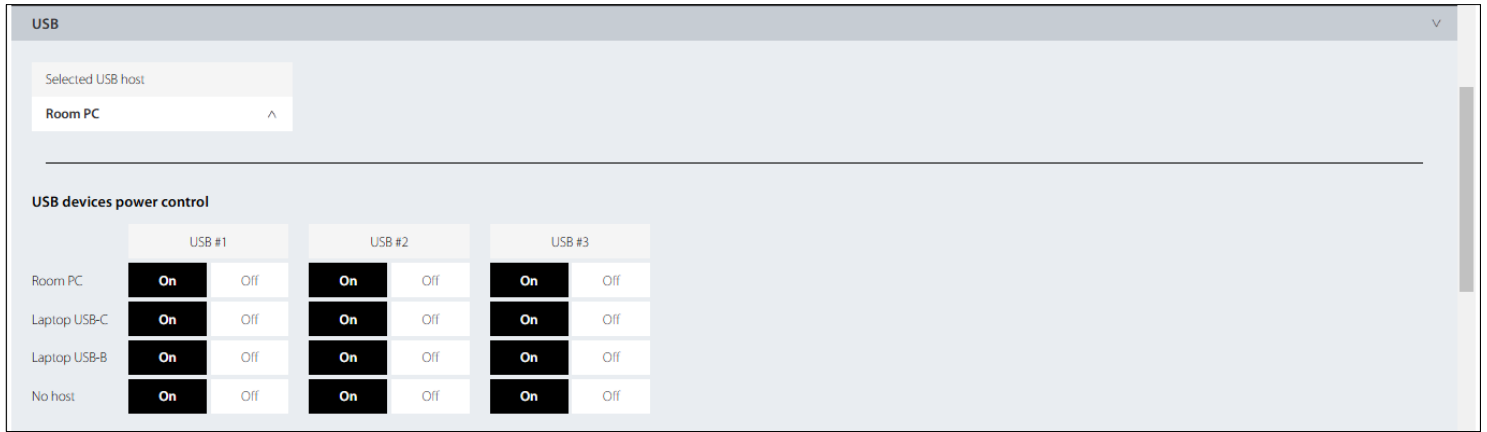
SETTINGS TAB

STATUS	SETTINGS	SYSTEM	RESOURCES
OPERATION MODE			
Operation Mode			
Room PC + BYOD Content sharing BYOM Custom			
Host system priority			
Last detected source ^			

OPERATION MODE

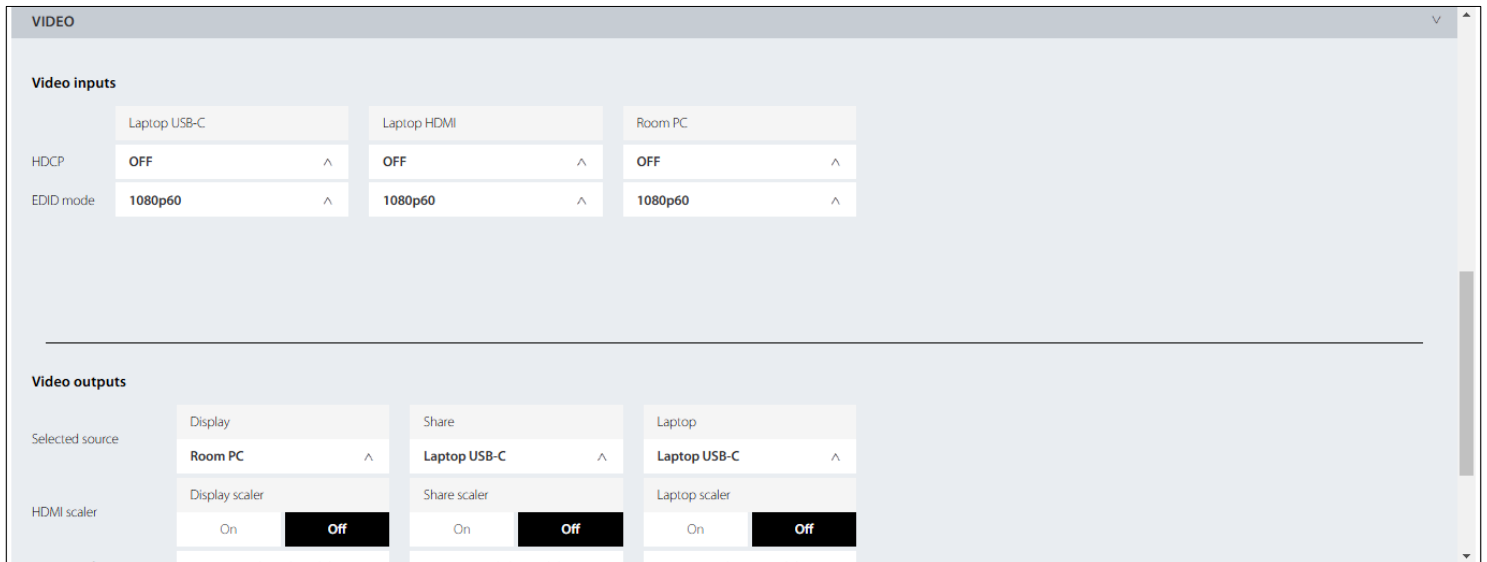
- Change the operation mode of the unit.
 - o RoomPC + BYOD Content sharing
 - In this mode, as soon as a laptop is connected to the device, video will be routed to HDMI SHARE OUT for content sharing. USB devices are not switched to the laptop in order to avoid disrupting video call on RoomPC. A user trigger (front button, INO – BUTTON KIT or API call) needs to be done to initiate BYOM session.
 - o BYOM
 - In this mode, switching between RoomPC and BYOM is automatic upon host detection.
 - o Custom mode
 - In this mode, USB, HDMI display and HDMI share switching modes can be independently controlled.

USB



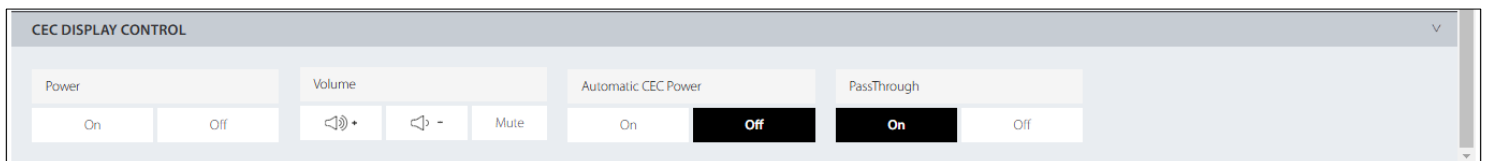
- USB configuration
 - o User can select the USB host.
 - o USB devices power control
 - This control allows you to turn ON/OFF USB power on each port depending on the host selected.
 - This can be useful when unit is connected to a Room PC system which have BYOM support.

VIDEO



- Video inputs
 - o HDCP
 - Can be turned ON/OFF and appropriate HDCP version can be set.
 - o EDID mode
 - Can report EDID information based on actual display, using preset EDIDs or using a user EDID that can be uploaded to the device.
- Video outputs
 - o User can select video source to be shown on specified output.

CEC DISPLAY CONTROL



- Power
 - o Can turn ON/OFF connected display.
- Volume
 - o Can send volume UP/DOWN commands.
 - o Can send toggle mute command.
- Automatic CEC power
 - o Device can automatically send power ON/OFF commands to display when selected video sources is detected or not.

SYSTEM TAB

STATUS	SETTINGS	SYSTEM	RESOURCES
SECURITY			^
WEB INTERFACE CONFIGURATION			^
NETWORK			^
RS-232			^
GPI			^
UPDATE			^

SECURITY

SECURITY v

Login info

Change the login info

Old password: *

New password: *

Confirm new password: *

* mandatory fields

Telnet Connection

- Login info
 - o Ability to change the current password of the device.
- Telnet connection
 - o Allows the device to be connected to a telnet client.

WEB INTERFACE CONFIGURATION

WEB INTERFACE CONFIGURATION

HTTP Server: On (selected), Off

Authentication: Use Token, No Token (selected)

API access token

Get access token, Generate access token, Delete access token

[Text input field]

- Ability to turn on or off the HTTP server.
- Allows the authentication token.
- API access token can be accessed, generated or deleted using those buttons.

NETWORK

NETWORK

IP Mode: DHCP (selected), Static

IP address	192.168.0.183
Subnet mask	255.255.255.0
Gateway	192.168.0.1

- IP mode
 - o Device can be configured using DHCP or static IP address.
 - o If static IP addressing is selected, you can set IP address, subnet mask and gateway.

RS232

RS-232

Baud Rate: 9600 ^

- Baud rate
 - o The baud rate of the RS232 port can be set here.

GPI

The screenshot shows a configuration window titled "GPI" with a dropdown arrow in the top right corner. It is divided into three sections: GPI1, GPI2, and VOUT. Each section contains a row of five buttons. In the GPI1 row, the first button "BYOM mode control" is highlighted in black. In the GPI2 row, the second button "USB host control" is highlighted in black. In the VOUT row, the first button "Controlled by firmware" is highlighted in black. The other buttons are in a light gray state.

Section	Button 1	Button 2	Button 3	Button 4	Button 5
GPI1	BYOM mode control	USB host control	Display-Out video source control	Share-Out video source control	None
GPI2	BYOM mode control	USB host control	Display-Out video source control	Share-Out video source control	None
VOUT	Controlled by firmware	Logic-low	Logic-high		

- GPI functions are set here.
- The VOUT pin can also be configured.

UPDATE

The screenshot shows a configuration window titled "UPDATE" with a dropdown arrow in the top right corner. It has two main sections. The "Manual firmware update" section includes a "Choose the firmware package" label with a "Browse" button, a "Firmware version name" label with a text input field containing "<FIRMWARE VERSION NAME>", and an "Upload" button. The "Factory default" section includes a "Reset" button.

- You can force a specific firmware package (ZIP file) after clicking on the Browse button. Click on "Upload" button to proceed to the update.
- If you need to do a factory reset of the product, you can click on the "Reset" button.

RESOURCES TAB

STATUS	SETTINGS	SYSTEM	RESOURCES
<p>GUIDES</p> <p>TOGGLE ROOMS XT - User Guide</p> <hr/> <p>TOGGLE ROOMS XT - Data Sheet</p> <hr/> <p>TOGGLE ROOMS XT - Brochure</p>	<p>DEVICE CERTIFICATIONS</p> <p>FCC-CE-RoHS-IEC62368 - Declaration of Conformity</p> <hr/> <p>SoV - Declaration of Volatility</p> <hr/> <p>TAA - Declaration of TAA Compliance</p>	<p>POWER SUPPLY CERTIFICATIONS - 160W</p> <p>FCC - Verification of Compliance</p> <hr/> <p>CE - Declaration of Conformity</p> <hr/> <p>CE - Verification of Compliance</p> <hr/> <p>CB - Test Certificate</p> <hr/> <p>UL - Certificate</p> <hr/> <p>TUV - Certificate</p> <hr/> <p>Test Report</p>	<p>POWER SUPPLY CERTIFICATIONS - 36W</p> <p>FCC - Verification of Compliance</p> <hr/> <p>CE - Declaration of Conformity</p> <hr/> <p>CB - Test Certificate</p> <hr/> <p>UL - Certificate</p> <hr/> <p>TUV - Certificate</p> <hr/> <p>EMC - Certificate</p>

In this section, you will have access to the latest documentation.

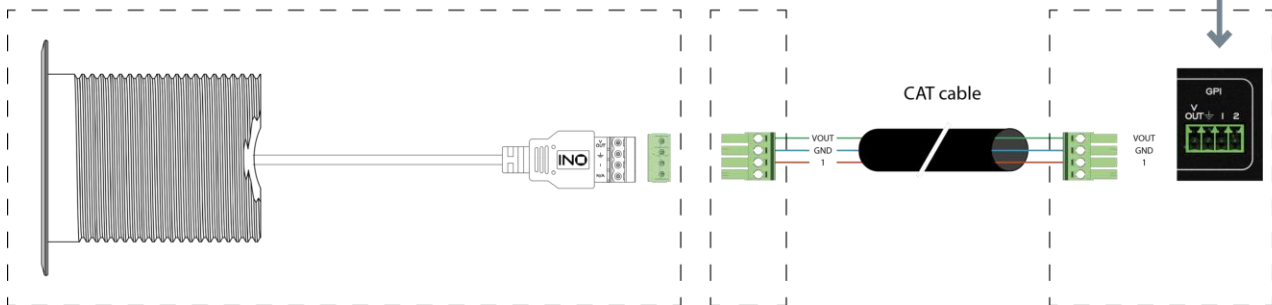
- User guide
- Datasheet
- Brochure
- Device certifications
- Power supply certifications

INOGENI INO – BUTTON KIT

You can use our INOGENI INO – BUTTON KIT to trigger the BYOM mode of the TOGGLE ROOMS.



Here is the connectivity diagram of the INO – BUTTON KIT to the TOGGLE ROOMS.



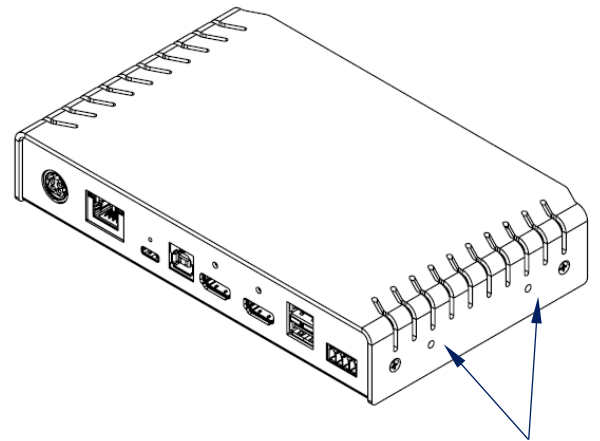
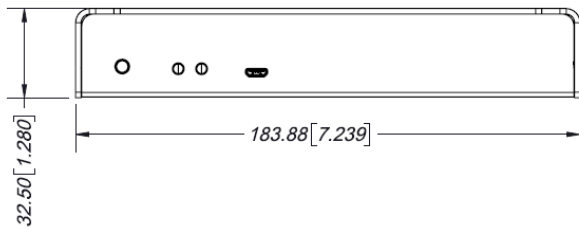
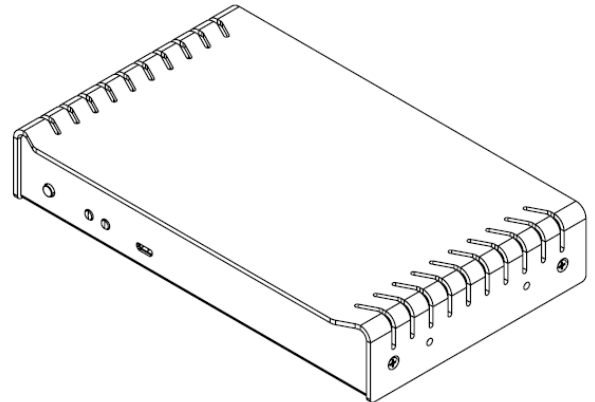
Here is also the timing diagram of the GPI and VOUT interfaces. When the GPI1 interface is shorted to GND, the VOUT signal will act like this depending on the laptop selected. Each cycle is 250ms.



MECHANICAL SPECIFICATION

You can find the mechanical specification of the device. All dimensions are in **mm [in]**.

LAPTOP HUB



M2.5 screw holes for brackets

Figure 2: Top plate dimensions of laptop hub

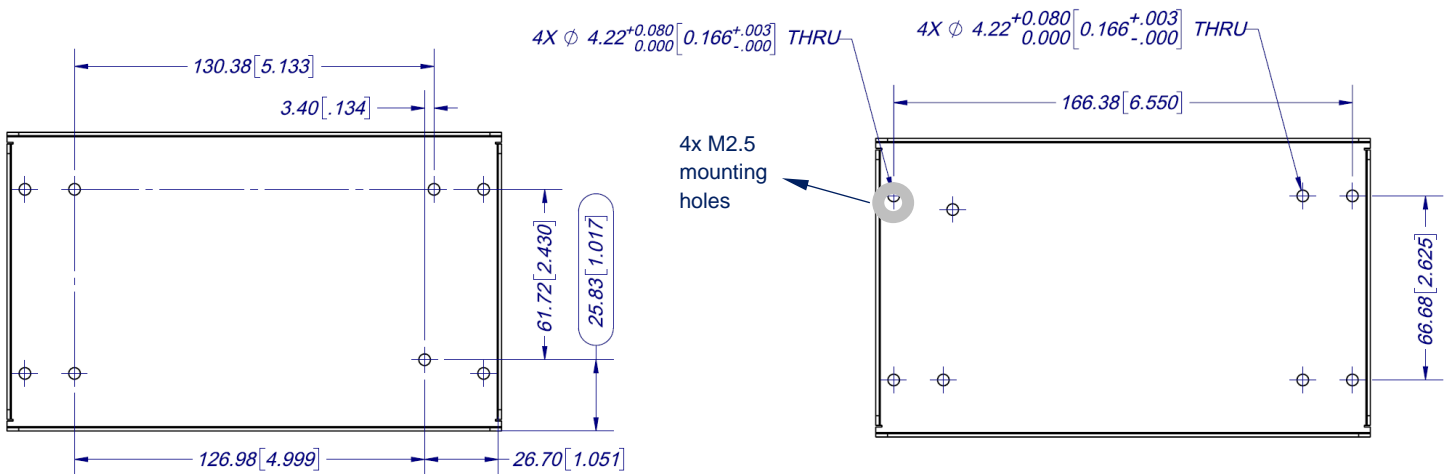


Figure 3: Bottom plate dimensions and holes positions of laptop hub

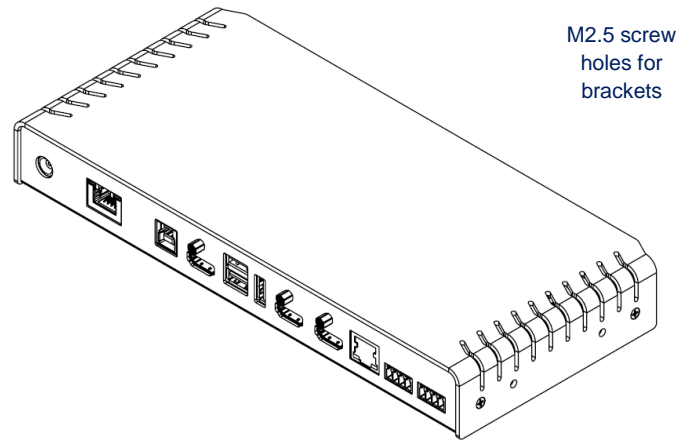
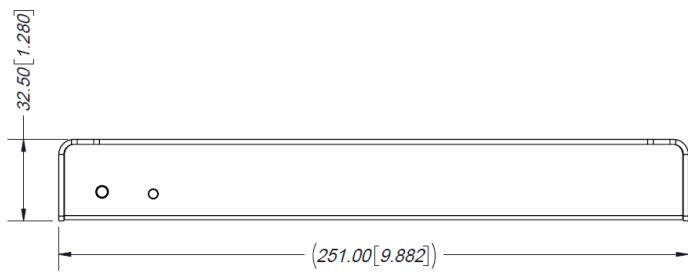
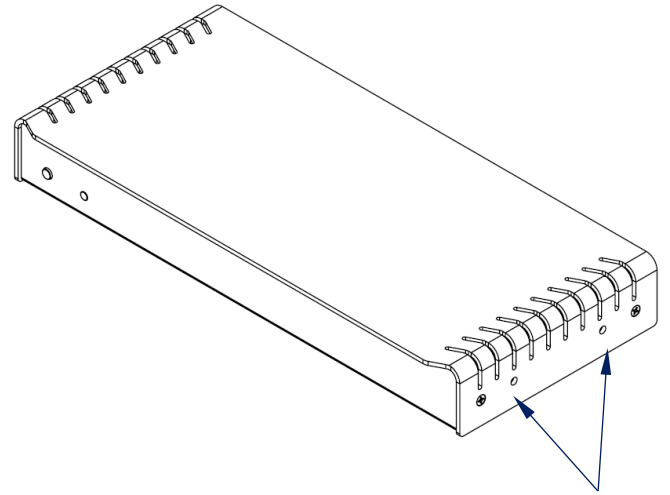
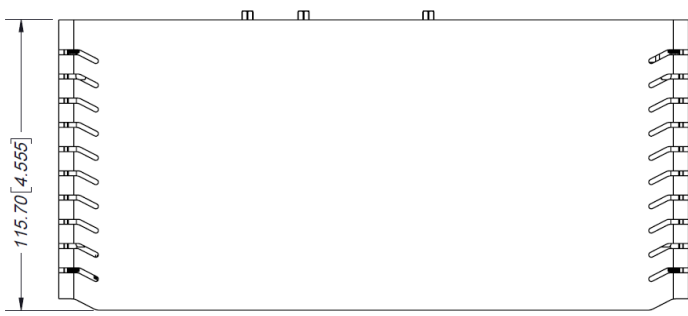


Figure 4: Top plate dimensions of RoomPC hub

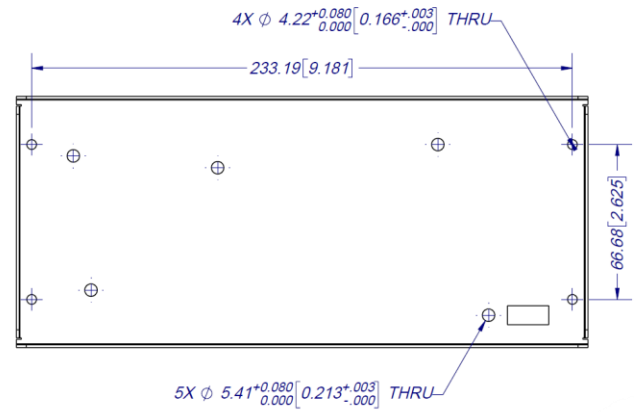
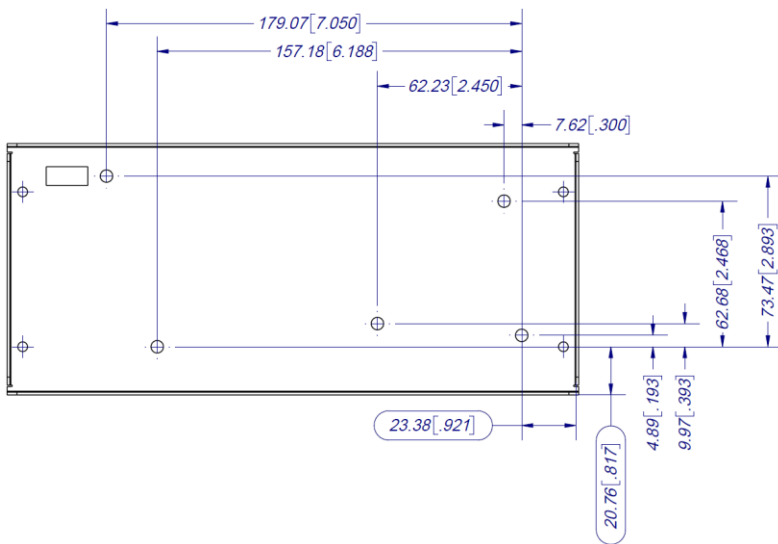


Figure 5: Bottom plate dimensions and holes positions of Room PC hub

MOUNTING BRACKET

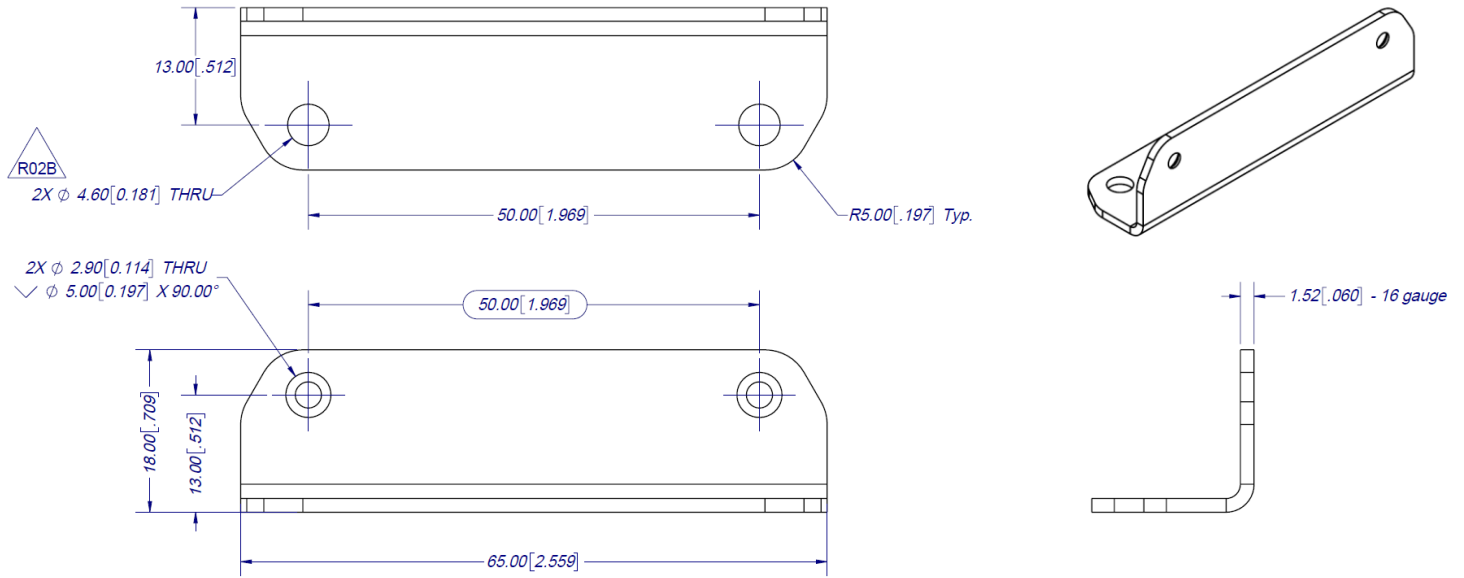


Figure 6: Bracket dimensions

160W POWER SUPPLY BRACKET

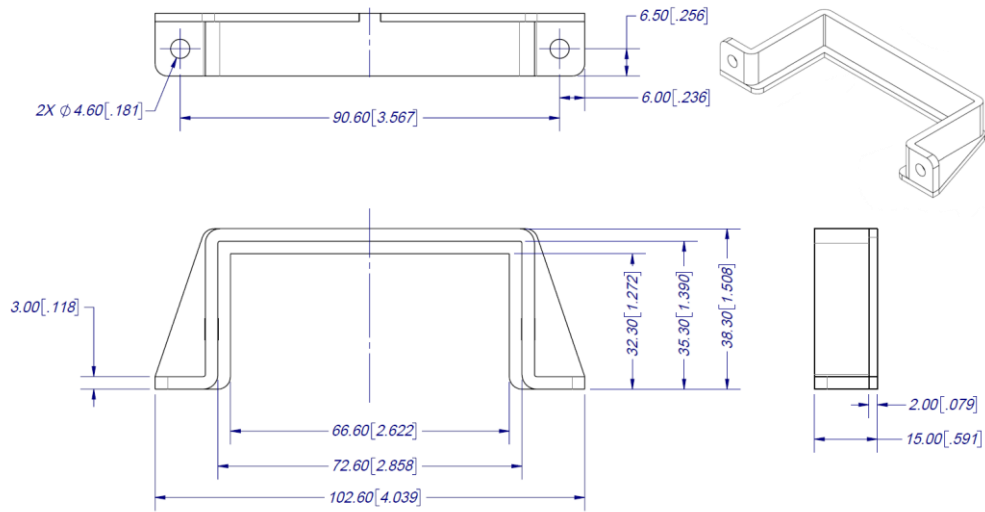


Figure 7: Power supply 160W bracket dimensions

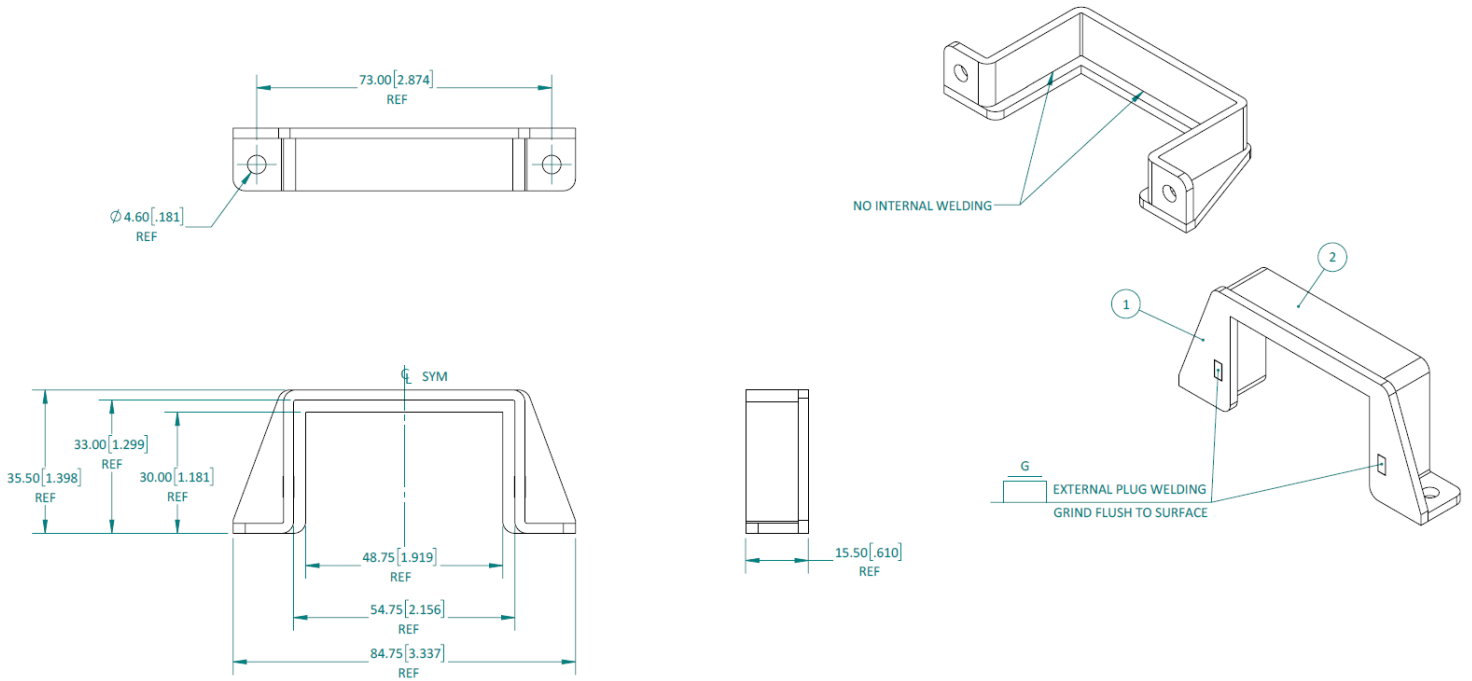


Figure 8: Power supply 36W bracket dimensions

DIP SWITCHES

Here you can find the behavior of the DIP switches located at the back of the unit.

Switch	Position	Description
SW1	OFF	For future use.
	ON	
SW2	OFF	For future use.
	ON	
SW3	OFF	For future use.
	ON	
SW4	OFF	For future use.
	ON	
SW5	OFF	Reserved.
	ON	
SW6	OFF	Disable 5V on RS232 terminal block.
	ON	Enable 5V on RS232 terminal block. This switch must be set to power up the connected remote.

TROUBLESHOOTING SECTION

Here is the troubleshooting section for the device.

Problem	Resolution
My laptop is not charging using my USB-C cable.	<p>Check if the cable is rated to support USB-C power delivery. Also check if the cable used is among the ones that we already support. Visit https://inogeni.com/product/toggle-rooms/ for the complete list.</p> <p>Make also sure that your BIOS and your system chipset drivers are up to date.</p>
The device does not automatically switch USB host and HDMI source.	<p>By default, the device is operating in "RoomPC with BYOD / content sharing" mode to avoid disruption of a current video meeting. See "Operation mode" API to properly set the operation you need.</p>
My device is switching HDMI video slowly.	<p>If your EDID mode is set to "passthrough", the device is handshaking the EDID from the connected display to the source. This will take some time. To minimize video switching time, it is recommended to configure the EDID mode of the video sources to a preset EDID (e.g. 1080p60).</p>
The Maestro software is not able to detect my device.	<p>If you are connected to Toggle Rooms through the laptop connections (USB-C or USB-B/HDMI), please make sure the laptop is selected by using the front "LAPTOP HOSTS THE MEETING" button. When laptop is selected, this button will light up. The Maestro software will connect to the device through USB, this is why the device is not detected if the host is not properly selected.</p>

Engineered by video professionals, for video professionals, it is your most compatible USB 3.0 device. INOGENI expertise at your fingertips:


- **Expert Technical Support team** at support@inogeni.com for immediate help or if you have any technical question about our products.
- Extensive **Knowledge Base** to learn from other customers' experiences.

© Copyright 2024 by INOGENI INC. All Rights Reserved.

INOGENI name and logo are trademarks or registered trademarks of INOGENI. Use of this product is subject to the terms and conditions of the license and limited warranty in effect at the time of purchase. Product specifications can change without notice.


INOGENI, Inc.
1045 Avenue Wilfrid-Pelletier
Suite 101
Québec, QC, Canada, G1W0C6
(418) 651-3383


CERTIFICATIONS


 **FCC Radio Frequency Interference Statement Warning**
This device complies with Part 15 of the FCC rules. Operation is subject to the following two conditions:
(1) this device may not cause harmful interference, and
(2) this device must accept any interference received including interference that may cause undesired operation.

IC Statement

This Class A digital apparatus complies with Canadian CAN ICES-3(A)/NMB-3(A).

 **CE Statement**
We, INOGENI Inc., declare under our sole responsibility that the Toggle Rooms, to which this declaration relates, is in conformity with European Standards EN 55032, EN 55035, and RoHS Directive 2011/65/EU + 2015/863/EU.

 **UKCA Statement**
This device is compliant with the Electromagnetic Compatibility Regulations 2016 No. 1091 as part of the requirements leading to the UKCA marking.

 **WEEE Statement**
The European Union has established regulations for the collection and recycling of all waste electrical and electronic equipment (WEEE). Implementation of WEEE regulations may vary slightly by individual EU member states. Please check with your local and state government guidelines for safe disposal and recycling or contact your national WEEE recycling agency for more information.

 **RCM Statement**
This device is compliant with Regulator Compliance Mark (RCM) certification.