

Thank
You!

Dear Customer,

Congratulations on the purchase of your new INOGENI product. This finely engineered solution will definitely elevate any videoconference experience. Take advantage of an entire support team to address any AV challenges you may have.

INOGENI

INOGENI

INO – BUTTON KIT

BACKLIT SWITCH BUTTON WITH HARDWARE FOR TABLES

INSTALLATION GUIDE

DEVICE CONNECTORS

Table top with the grommet



WHAT IS IN THE BOX

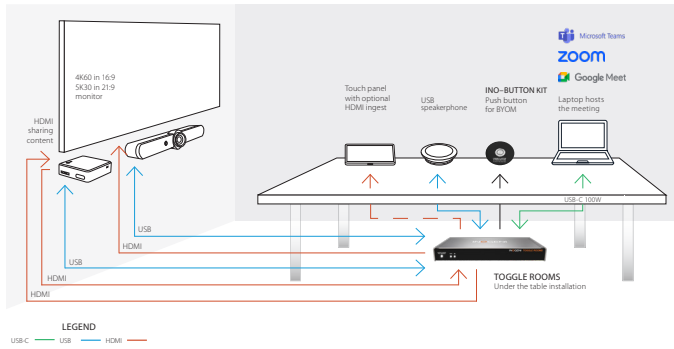
- 1x button with assembled cable with screw and nut hardware
- 1x terminal block plug
- Installation Guide
- One terminal block cable. Length options:
 - INO-BUTTON KIT – 4 m 4 meters (12 ft)
 - INO-BUTTON KIT – 8 m 8 meters (25 ft)

BEFORE YOU GET STARTED, ENSURE THAT ALL DRIVERS REQUIRED FOR USB DEVICE(S) ARE INSTALLED.

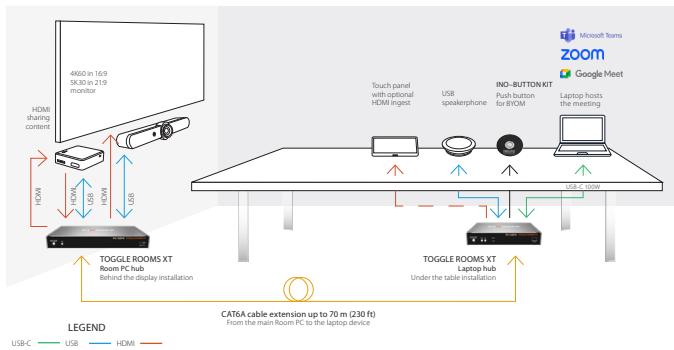
TYPICAL APPLICATION

Here is a typical connection diagram used for the TOGGLE ROOMS or the TOGGLE ROOMS XT for larger spaces with a device in a videoconferencing setup when embedding the button on the table.

TOGGLE ROOMS



TOGGLE ROOMS XT



The button acts as a trigger to enable laptop/BYOM mode for TOGGLE ROOMS or the TOGGLE ROOMS XT.

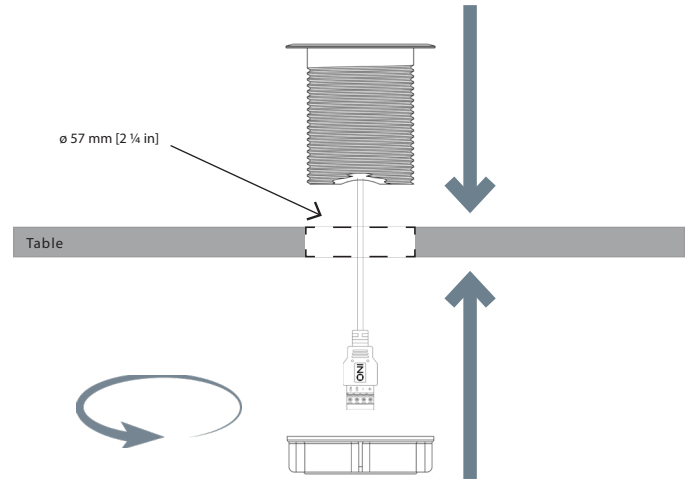
INSTALLATION STEPS

What you'll need for the installation:

- INO – BUTTON KIT includes:
 - 1x button with assembled cable with screw and nut hardware
 - 1x terminal block plug
 - 1x Installation Guide
 - One terminal block cable. Length options:
 - INO-BUTTON KIT – 4 m 4 meters (12 ft)
 - INO-BUTTON KIT – 8 m 8 meters (25 ft)
- INOGENI TOGGLE ROOMS or TOGGLE ROOMS XT
- 57 mm [2¼ in] hole saw with drilling kit
- Flat screwdriver
- Category (CAT) cable with the length needed

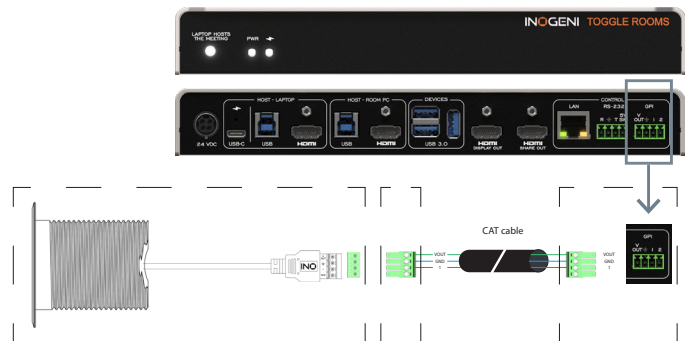
Here are the instructions for the installation:

1. Drill a 2¼ in [57 mm] hole into the table using the appropriate hole saw. You can then mount the screw through the table. Screw the nut under the table counterclockwise.

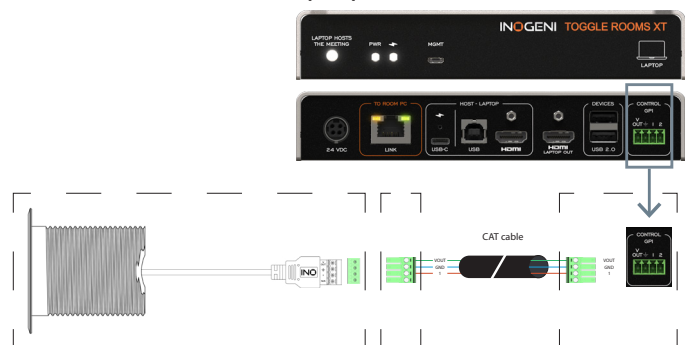


2. Use the included 4-meter (12 ft) or 8-meter (25 ft) mounted terminal block cable, or do it yourself with a CAT cable of the appropriate length and connect the terminal block to the CAT conductors according to the TOGGLE ROOMS GPI connection. Here is a recommended connection using the T-568B standard with a CAT cable.

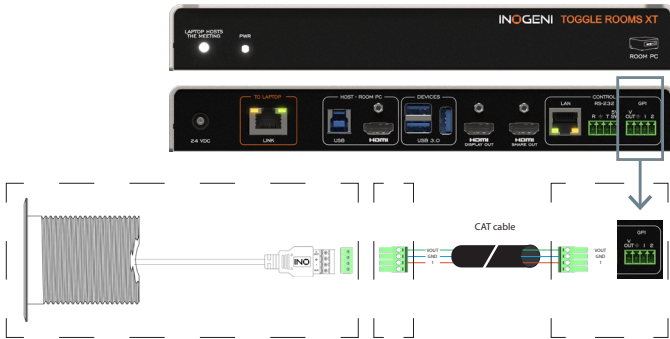
TOGGLE ROOMS



TOGGLE ROOMS XT - Laptop hub



TOGGLE ROOMS XT - Room PC hub



Button connector	TOGGLE ROOMS GPI connector	TOGGLE ROOMS XT GPI connector	CAT signal T-568B	Signal description
VOUT	VOUT	VOUT	Solid green	+5V voltage supply for LED
			Solid blue	Ground
1	1	1	Solid orange	Normally open contact
N/A	N/A	N/A	N/A	N/A

3. Connect both terminal block connectors to the button cable and the TOGGLE ROOMS or the TOGGLE ROOMS XT GPI interface.
4. To verify if the connection is successful, click the button to switch the host connection. The button will light up to indicate that the TOGGLE ROOMS or the TOGGLE ROOMS XT selected the laptop connection.

BUTTON AND LED BEHAVIOR

When the user presses the button, it will trigger TOGGLE ROOMS or the TOGGLE ROOMS XT to change the current mode. The button has an integrated LED and will light up when the laptop is selected.

Button LED	Signal description
OFF	Room PC selected. Laptop NOT selected.
ON	Laptop selected. Room PC NOT selected.
BLINK	Configuration error For example: LED wil blink if selected laptop host (USB + video) incomplete.

CERTIFICATION, COMPLIANCE AND WARRANTY INFORMATION

CE Statement

We, INOGENI Inc., declare under our sole responsibility that the INO – BUTTON KIT, to which this declaration relates, is in conformity with European Standards EN 55032, EN 55035, and RoHS Directive 2011/65/EU + 2015/863/EU.

UKCA Statement

This device is compliant with the Electromagnetic Compatibility Regulations 2016 No. 1091 as part of the requirements leading to the UKCA marking.

To learn more, visit the product page at www.inogeni.com/product/ino-button-kit



INOGENI
1045 Wilfrid-Pelletier Avenue
Suite 101
Québec City, QC
G1W 0C6, Canada
+1 418 651 3383

For technical support, contact us at support@inogeni.com