

# INO-MOUNT

## Easy mounting clip for INOGENI converter and extender



Introducing the **INO-MOUNT by INOGENI**, the versatile mounting solution for all **INOGENI** converters and the **U-BRIDGE 3**. Built for stability and ease, it ensures secure installations in any AV setup.

- Flexible, durable PVC plastic construction
- Mounts via screws or tie wraps
- Metal bracket stopper adjusts to fit various INOGENI device sizes
- Compatible with all INOGENI converters and U-BRIDGE 3
- Included with U-BRIDGE 3, available separately for other converters
- Eliminates the need for Velcro or unstable setups
- Suitable for under-table, wall, or rackmount installations
- Reusable and recyclable
- Designed in Canada.

## Installation steps

### What you'll need for the installation:

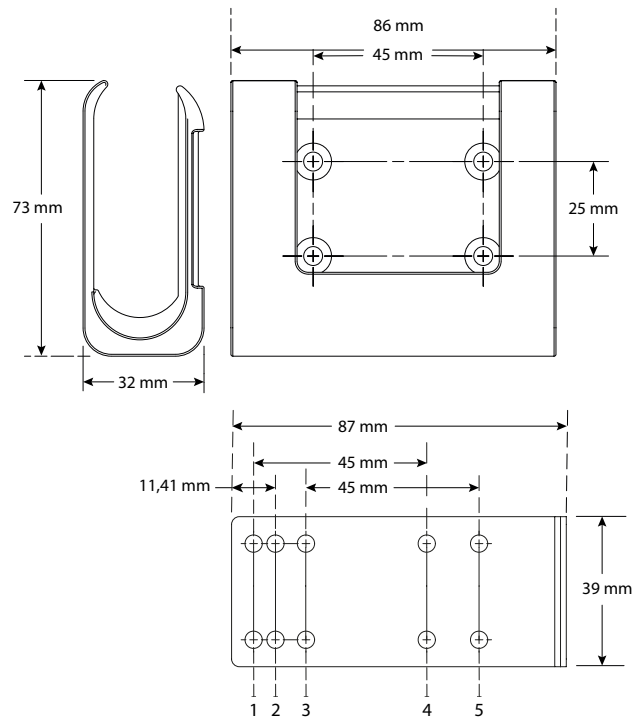
- INO – MOUNT includes:
  - 1x mounting clip
  - 1x mounting lock clip
  - 4x screws
- One of INOGENI's converters or extenders
- Drill and screwdriver

### Under a Table or on a Wall

- Adjust the position of the metal plate according to your INOGENI unit and use the 4x screws to lock the clip with the metal plate to the surface.
- Slide your unit into the mounting clip, with the brand and information visible to the user.
- Connect your INOGENI devices to your equipments.

### In a Rackmount

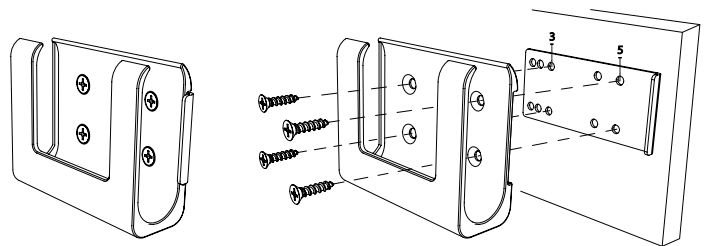
- Use a tie wrap and thread it through the 2 insertion holes to position the INO-MOUNT.
- Tighten the tie wrap to secure the bracket and hide the excess in the space provided at the bottom of the INO-MOUNT.
- Slide your INOGENI device (Converters or U-BRIDGE 3) into the mount.
- Connect your device.



## INOGENI's devices lists

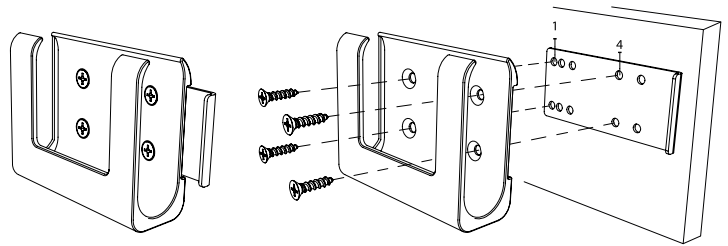
### Screw into holes 3 and 5

- **4K2USB3**  
HDMI 4K to USB 3.0 capture card
- **HD2USB3**  
HDMI to USB 3.0 video converter
- **SDI2USB3**  
3G-SDI to USB 3.0 video converter (+ loop)



### Screw into holes 1 and 4

- **4KX-PLUS**  
4K HDMI to USB 3.0 capture device
- (+ HDMI loop, analog audio & external power)
- **4KXUSB3**  
4K Ultra HD to USB 3.0  
(+ HDMI loop, analog audio & VISCA)
- **U-BRIDGE 3 - PC HOST**  
USB 3.2 Gen 1 camera and device extender



### Screw into holes 2 and directly into the surface

- **U-BRIDGE 3 - DEVICE**  
USB 3.2 Gen 1 camera and device extender

