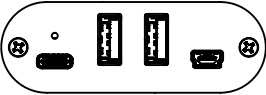
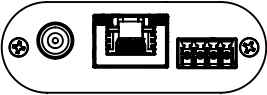
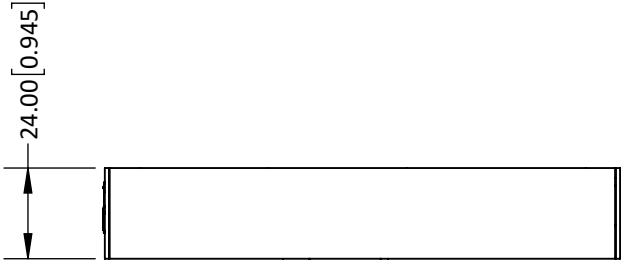
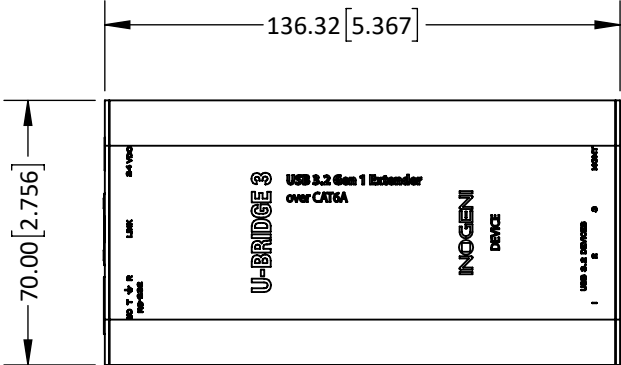
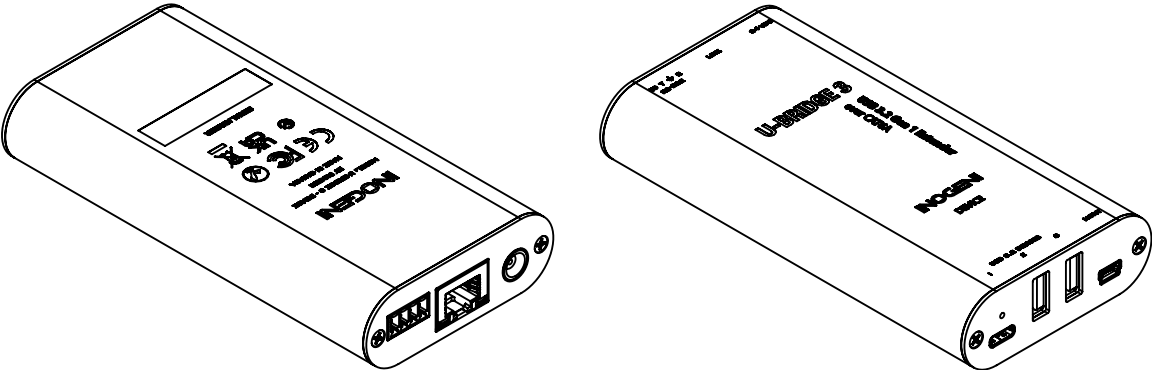
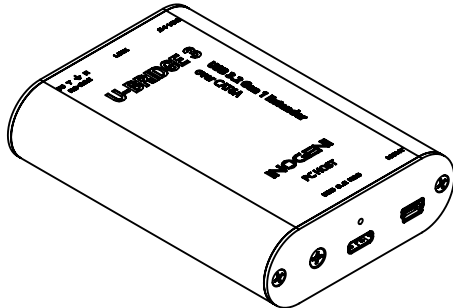
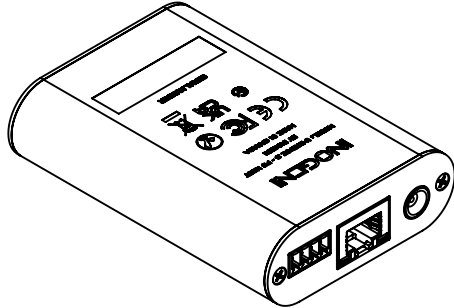


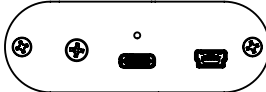
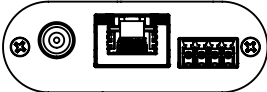
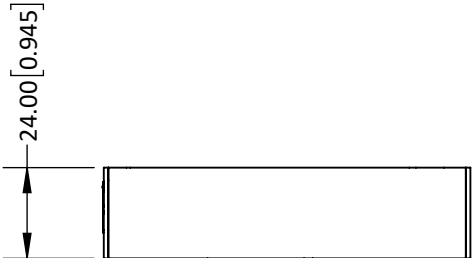
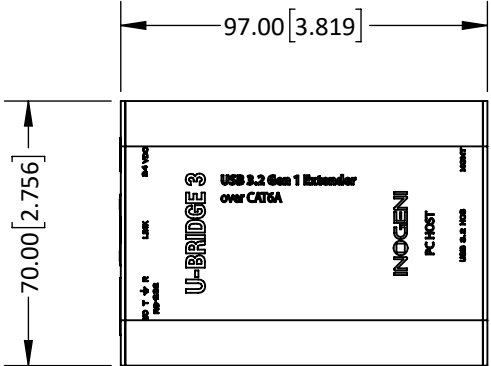


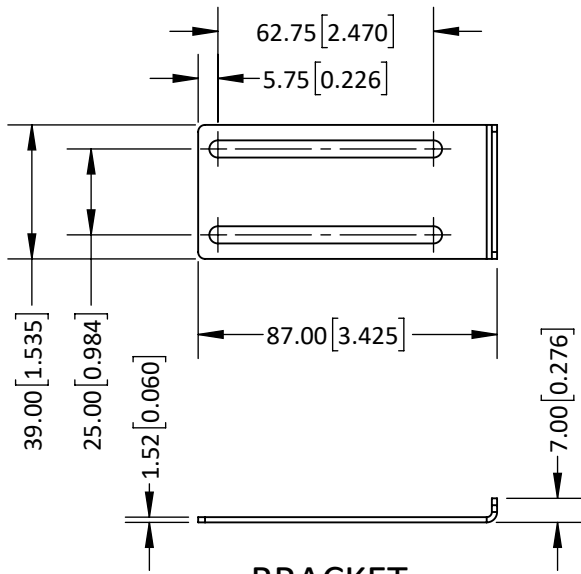
**Installation drawing - U-BRIDGE 3 - DEVICE**  
R01A - 2024-09-25



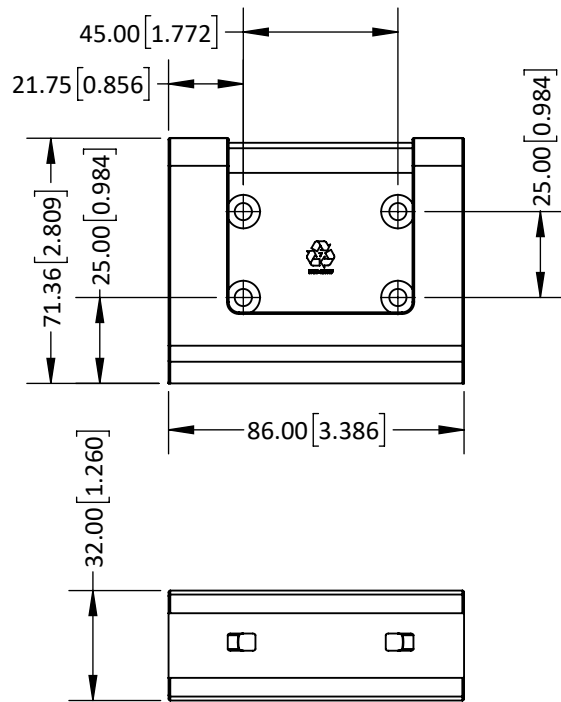
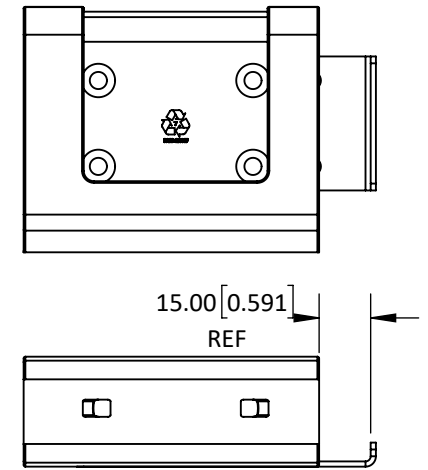
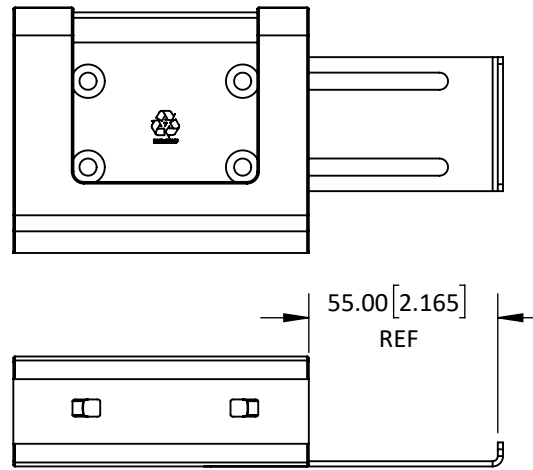


**Installation drawing - U-BRIDGE 3 - HOST**  
R01A - 2024-09-25

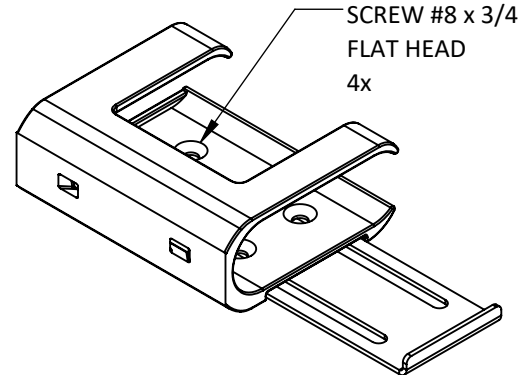




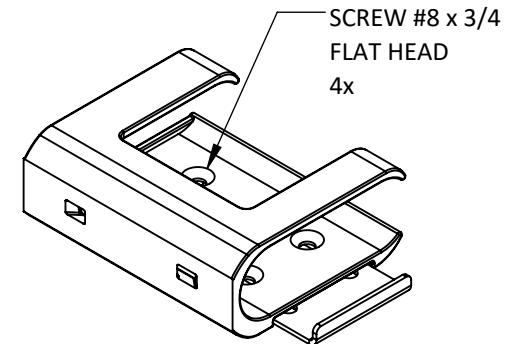
BRACKET



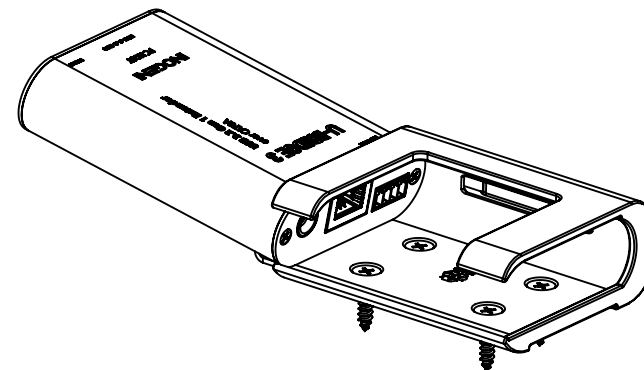
SUPPORT



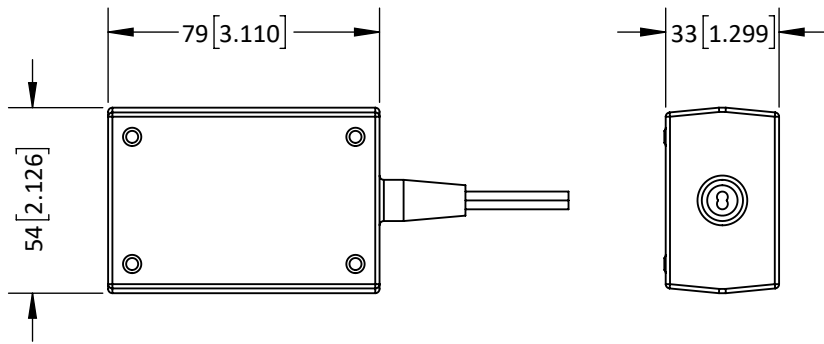
SUPPORT U-BRIDGE ASSY - DEVICE



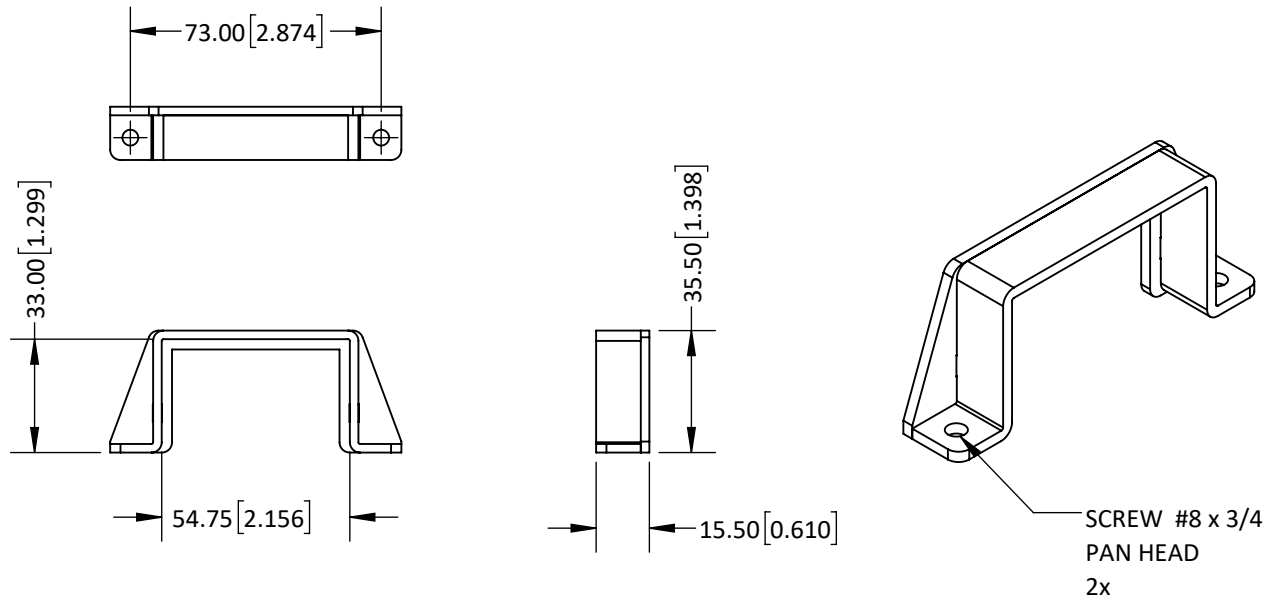
SUPPORT U-BRIDGE ASSY - HOST



METHOD OF INSTALLING OF U-BRIDGE 3 IN SUPPORT ASSY



POWER SUPPLY



MOUNTING BRACKET for POWER SUPPLY