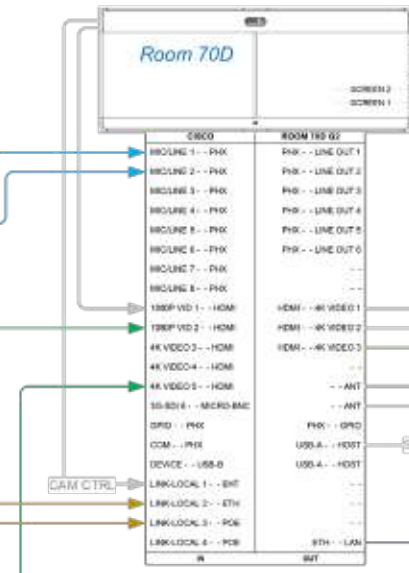


4K2USB3 Line Drawing Application with Cisco Webex Room 70 G2 Dual

Room 70 G2 Dual and Inogeni 4K2USB3
For USB Passthrough
Line drawing

The Codec Pro platform does not need an audio cable into the capture device. Audio Console is used to route microphones through the HDMI output.

Typical microphones



See Audio Console config embedded audio



The Pro platform uses the Inogeni 4K2USB3. The other endpoints use the 4KXUSB3 which has an audio input and HDMI loop thru.



Room 70 Dual
Inogeni 4K2USB3

DRAWN BY
ENRICO CONEDERA

REVISION
Ver 210216